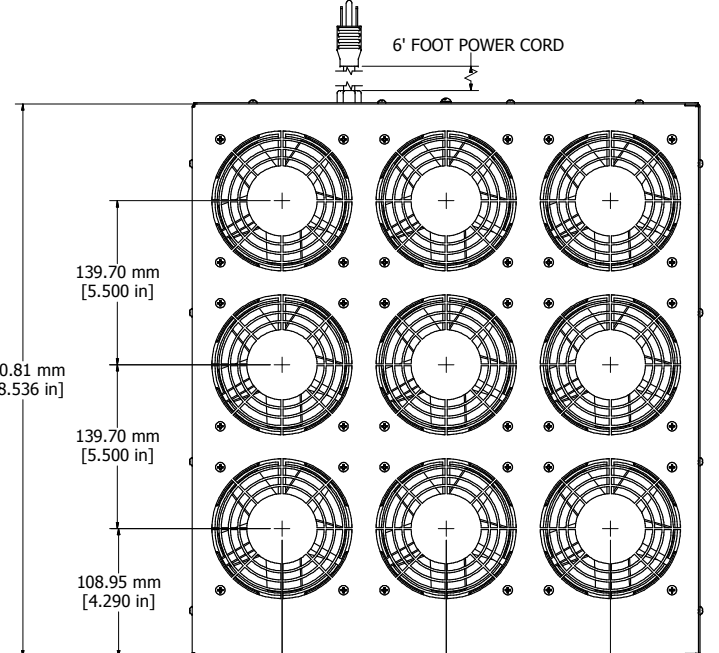
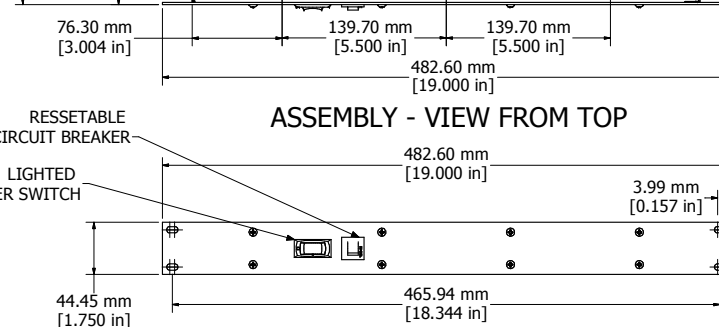


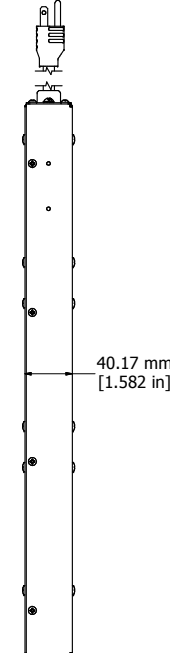
ASSEMBLY - VIEW FROM BACK



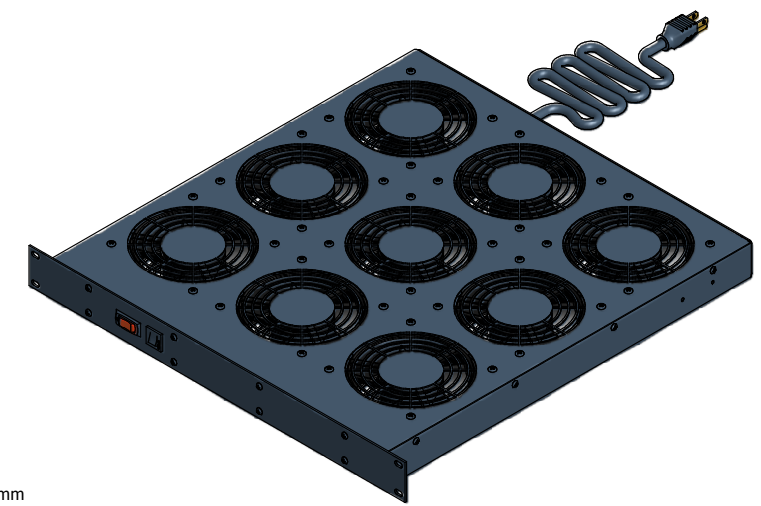
ASSEMBLY - VIEW FROM TOP



ASSEMBLY - VIEW FROM FRONT



ASSEMBLY - VIEW FROM SIDE



ISOMETRIC VIEW

<b>FT900HA1BK</b>
Finish - Black Textured Powder Paint
Rated - 115 VAC, 60 Hz, 3 Amps
Free Flow Air Delivery - 900 CFM
Approvals - cURus Recognized UL507 and CSA C22.2 No.113
<b>ACCESSORIES INCLUDED</b>
Mounting Instructions
Rear Mount Brackets & Hardware
Extension Brackets & Hardware

**HAMMOND  
MANUFACTURING™**

**FT900HA1BK**

[www.hammondmfg.com](http://www.hammondmfg.com)