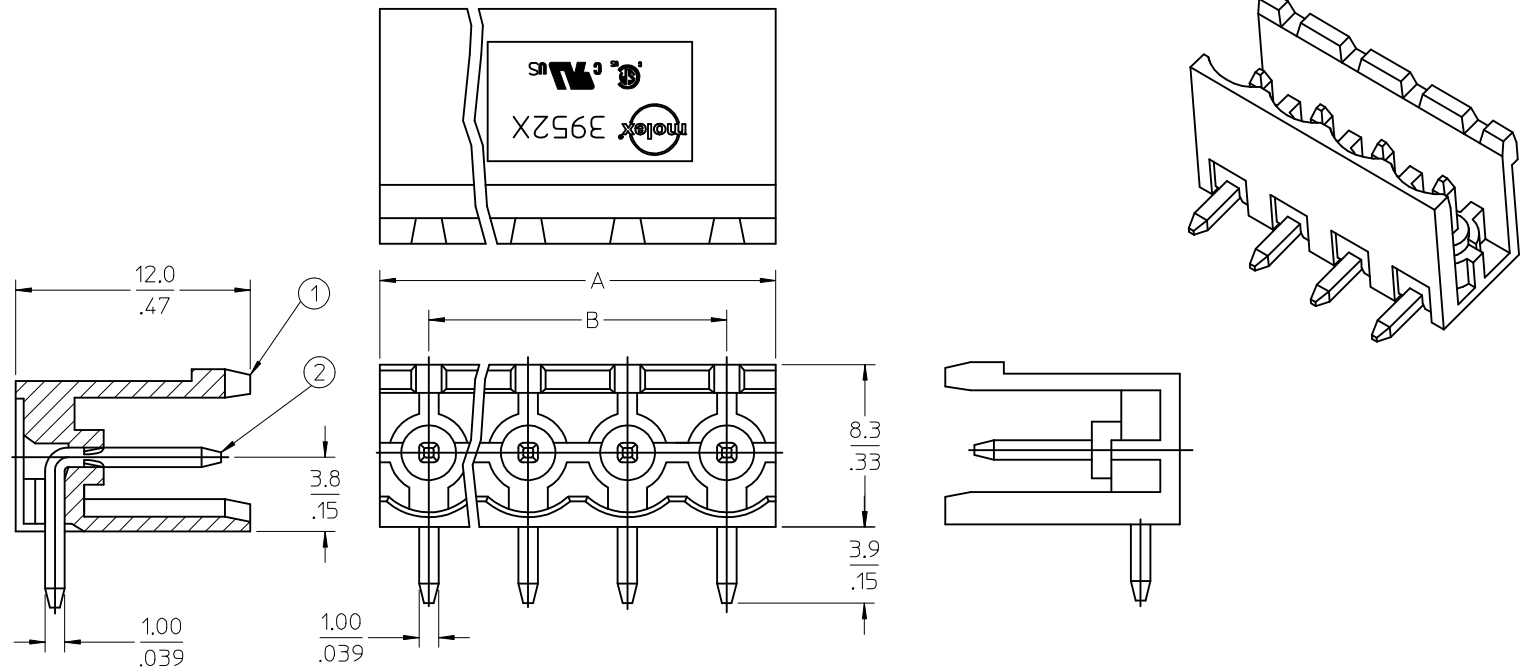


10 9 8 7 6 5 4 3 2 1



SPECIFICATIONS:

1. Material:
 - (1). Body: PA66
 - (2). Pin: Brass
2. Wire range: N/A
3. Electrical rating: 300V, 15A.
4. Wire strip length: N/A
5. Operating temperature: -40C to +105C.
6. Max torque: N/A
7. Insulation resistance: DC 500V, 500M.
8. Dielectric withstand: AC 2500V for 1 minute.
9. Breakdown voltage: 4000V.
10. A = (N x P)
11. B = (N - 1) x P
12. P (PITCH) = 5.0mm (.197").
13. N = Number of positions available 2 through 24.

TOLERANCES			
MM	TOL	INCH	TOL
0-6	±0.25	0-.24	±.010
>6-30	±0.40	.24-1.18	±.016
>30-120	±0.50	1.18-4.76	±.020
>120	±0.80	>4.76	±.031

REVISED DOC TOL EC NO: IFC2017-0881 DRW: ANAGATH 2017/03/24 CHKD: APPR: BRUPERT 2017/04/18 A1	QUALITY SYMBOLS	GENERAL TOLERANCES (UNLESS SPECIFIED)	DIMENSION STYLE	SCALE	DESIGN UNITS	THIRD ANGLE PROJECTION																		
	▼=0 ▽=0	<table border="1"> <tr> <th></th> <th>mm</th> <th>INCH</th> </tr> <tr> <td>4 PLACES</td> <td>±---</td> <td>±---</td> </tr> <tr> <td>3 PLACES</td> <td>±---</td> <td>±---</td> </tr> <tr> <td>2 PLACES</td> <td>±---</td> <td>±---</td> </tr> <tr> <td>1 PLACE</td> <td>±---</td> <td>±---</td> </tr> <tr> <td colspan="3">ANGULAR ±---°</td> </tr> </table>		mm	INCH	4 PLACES	±---	±---	3 PLACES	±---	±---	2 PLACES	±---	±---	1 PLACE	±---	±---	ANGULAR ±---°			MM/IN	4:1	INCH	☉ □ THIRD ANGLE PROJECTION
		mm	INCH																					
	4 PLACES	±---	±---																					
3 PLACES	±---	±---																						
2 PLACES	±---	±---																						
1 PLACE	±---	±---																						
ANGULAR ±---°																								
DRAFT WHERE APPLICABLE MUST REMAIN WITHIN DIMENSIONS	DRAWN BY: LROTHAUS CHECKED BY: CYORK APPROVED BY:	DATE: 12/6/05 DATE: 01/06/06 DATE:	TITLE: 5.0MM, EURO HEADER, RIGHT ANGLE, OPEN END																					
		MATERIAL NO.	DOCUMENT NO.	SHEET NO.																				
		SEE CHART	SD-39522-003	1 OF 1																				
		THIS DRAWING CONTAINS INFORMATION THAT IS PROPRIETARY TO MOLEX INCORPORATED AND SHOULD NOT BE USED WITHOUT WRITTEN PERMISSION																						

9 8 7 6 5 4 3 2 1

Description	Circuit Size	Material Numbers												Dimensional Information			
		Black						Green						Dim A		Dim B	
		100% Tin			50% Gold			100% Tin			50% Gold			mm	inch	mm	inch
		Plating Options			Plating Options			Plating Options			Plating Options						
	None	10A	11A	None	10A	11A	None	10A	11A	None	10A	11A					
5.0mm, Euro Header, Right Angle, Open End	2	395220002	395220102	395220202	395220302	395220402	395220502	395220602	395220702	395220802	395220902	395221002	395221102	10.00	0.394	5.00	0.197
5.0mm, Euro Header, Right Angle, Open End	3	395220003	395220103	395220203	395220303	395220403	395220503	395220603	395220703	395220803	395220903	395221003	395221103	15.00	0.591	10.00	0.394
5.0mm, Euro Header, Right Angle, Open End	4	395220004	395220104	395220204	395220304	395220404	395220504	395220604	395220704	395220804	395220904	395221004	395221104	20.00	0.787	15.00	0.591
5.0mm, Euro Header, Right Angle, Open End	5	395220005	395220105	395220205	395220305	395220405	395220505	395220605	395220705	395220805	395220905	395221005	395221105	25.00	0.984	20.00	0.787
5.0mm, Euro Header, Right Angle, Open End	6	395220006	395220106	395220206	395220306	395220406	395220506	395220606	395220706	395220806	395220906	395221006	395221106	30.00	1.181	25.00	0.984
5.0mm, Euro Header, Right Angle, Open End	7	395220007	395220107	395220207	395220307	395220407	395220507	395220607	395220707	395220807	395220907	395221007	395221107	35.00	1.378	30.00	1.181
5.0mm, Euro Header, Right Angle, Open End	8	395220008	395220108	395220208	395220308	395220408	395220508	395220608	395220708	395220808	395220908	395221008	395221108	40.00	1.575	35.00	1.378
5.0mm, Euro Header, Right Angle, Open End	9	395220009	395220109	395220209	395220309	395220409	395220509	395220609	395220709	395220809	395220909	395221009	395221109	45.00	1.772	40.00	1.575
5.0mm, Euro Header, Right Angle, Open End	10	395220010	395220110	395220210	395220310	395220410	395220510	395220610	395220710	395220810	395220910	395221010	395221110	50.00	1.969	45.00	1.772
5.0mm, Euro Header, Right Angle, Open End	11	395220011	395220111	395220211	395220311	395220411	395220511	395220611	395220711	395220811	395220911	395221011	395221111	55.00	2.165	50.00	1.969
5.0mm, Euro Header, Right Angle, Open End	12	395220012	395220112	395220212	395220312	395220412	395220512	395220612	395220712	395220812	395220912	395221012	395221112	60.00	2.362	55.00	2.165
5.0mm, Euro Header, Right Angle, Open End	13	395220013	395220113	395220213	395220313	395220413	395220513	395220613	395220713	395220813	395220913	395221013	395221113	65.00	2.559	60.00	2.362
5.0mm, Euro Header, Right Angle, Open End	14	395220014	395220114	395220214	395220314	395220414	395220514	395220614	395220714	395220814	395220914	395221014	395221114	70.00	2.756	65.00	2.559
5.0mm, Euro Header, Right Angle, Open End	15	395220015	395220115	395220215	395220315	395220415	395220515	395220615	395220715	395220815	395220915	395221015	395221115	75.00	2.953	70.00	2.756
5.0mm, Euro Header, Right Angle, Open End	16	395220016	395220116	395220216	395220316	395220416	395220516	395220616	395220716	395220816	395220916	395221016	395221116	80.00	3.150	75.00	2.953
5.0mm, Euro Header, Right Angle, Open End	17	395220017	395220117	395220217	395220317	395220417	395220517	395220617	395220717	395220817	395220917	395221017	395221117	85.00	3.346	80.00	3.150
5.0mm, Euro Header, Right Angle, Open End	18	395220018	395220118	395220218	395220318	395220418	395220518	395220618	395220718	395220818	395220918	395221018	395221118	90.00	3.543	85.00	3.346
5.0mm, Euro Header, Right Angle, Open End	19	395220019	395220119	395220219	395220319	395220419	395220519	395220619	395220719	395220819	395220919	395221019	395221119	95.00	3.740	90.00	3.543
5.0mm, Euro Header, Right Angle, Open End	20	395220020	395220120	395220220	395220320	395220420	395220520	395220620	395220720	395220820	395220920	395221020	395221120	100.00	3.937	95.00	3.740
5.0mm, Euro Header, Right Angle, Open End	21	395220021	395220121	395220221	395220321	395220421	395220521	395220621	395220721	395220821	395220921	395221021	395221121	105.00	4.134	100.00	3.937
5.0mm, Euro Header, Right Angle, Open End	22	395220022	395220122	395220222	395220322	395220422	395220522	395220622	395220722	395220822	395220922	395221022	395221122	110.00	4.331	105.00	4.134
5.0mm, Euro Header, Right Angle, Open End	23	395220023	395220123	395220223	395220323	395220423	395220523	395220623	395220723	395220823	395220923	395221023	395221123	115.00	4.528	110.00	4.331
5.0mm, Euro Header, Right Angle, Open End	24	395220024	395220124	395220224	395220324	395220424	395220524	395220624	395220724	395220824	395220924	395221024	395221124	120.00	4.724	115.00	4.528

TOLERANCES			
MM	TOL	INCH	TOL
0-6	±0.25	0-.24	±.010
>6-30	±0.40	.24-1.18	±.016
>30-120	±0.50	1.18-4.76	±.020
>120	±0.80	>4.76	±.031

REVISED DOC TOL EC NO: IFC2017-0861 DRAWN: ANAGATH 2017/03/24 CHKD: APPR: BRUPERT 2017/04/18 REV	QUALITY SYMBOLS ▽=0 ▽=0	GENERAL TOLERANCES (UNLESS SPECIFIED) mm INCH 4 PLACES ± --- ± --- 3 PLACES ± --- ± --- 2 PLACES ± --- ± --- 1 PLACE ± --- ± --- ANGULAR ± ---°	DIMENSION STYLE MM/IN DRAWN BY DATE LROTHAUS 12/6/05 CHECKED BY DATE C. YORK 01/06/06 APPROVED BY DATE	SCALE DESIGN UNITS INCH THIRD ANGLE PROJECTION
	DRAFT WHERE APPLICABLE MUST REMAIN WITHIN DIMENSIONS		MATERIAL NO. SEE CHART	TITLE 5.0MM, EURO HEADER, RIGHT ANGLE, OPEN END
	SIZE B		DOCUMENT NO. SD-39522-003	SHEET NO. 2 OF 2
	THIS DRAWING CONTAINS INFORMATION THAT IS PROPRIETARY TO MOLEX INCORPORATED AND SHOULD NOT BE USED WITHOUT WRITTEN PERMISSION			