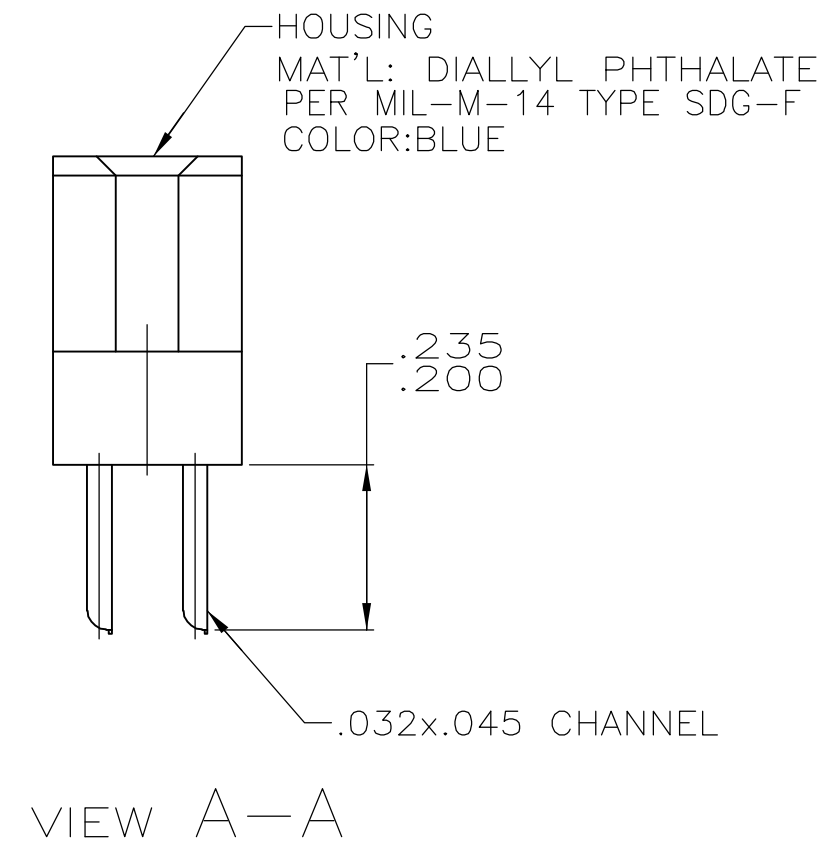
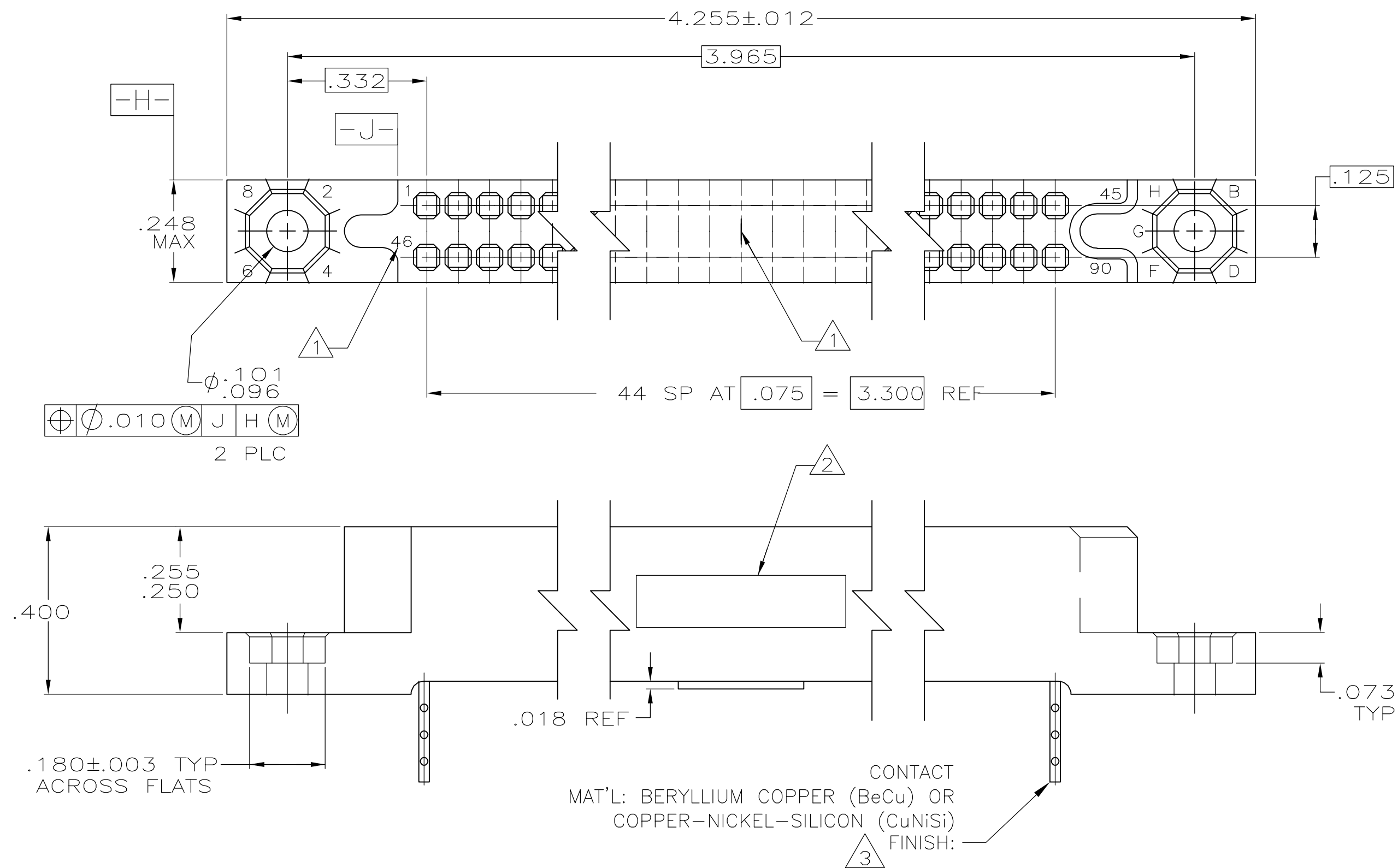


THIS DRAWING IS UNPUBLISHED. RELEASED FOR PUBLICATION  
 © COPYRIGHT BY TYCO ELECTRONICS CORPORATION. ALL RIGHTS RESERVED.

LOC	DIST	REVISIONS					
DF	FO	P	LTR	DESCRIPTION	DATE	DWN	APVD
		K		REV PER ECO 05-013554	17NOV05	VF	CT



- ① NUMBERS (SEE TABLE) AND LINES, INDICATING EVERY FIVE CAVITIES, MOLDED OR MARKED ON MATING FACE.
- ② CUSTOMER PART NO., AMP, DATE CODE AND AMP PART NO. MARKED IN THIS AREA.
- ③ CONTACT FINISH: .000030 MIN GOLD IN CONTACT AREA. .000100 MIN TIN-LEAD ON TAILS, OVER .000030 MIN NICKEL ON ENTIRE CONTACT.
- ④ CAVITY DRILLED FOR KEYING, WILL ACCEPT KEYING PIN ON MATING CONNECTOR. SEE TABLE FOR LOCATION.

OBSOLETE	45 & 89	C141-004-6624	88	90	1-583594-4
OBSOLETE	46 & 90	C141-004-6623	88	90	1-583594-3
OBSOLETE	12 & 47	C141-004-6622	88	90	1-583594-2
OBSOLETE	11 & 46	C141-004-6621	88	90	1-583594-1
	7 & 84	C141-004-6602	88	90	1-583594-0
OBSOLETE	16 & 75	C141-004-6604	88	90	583594-9
OBSOLETE	25 & 66	C141-004-6606	88	90	583594-8
	34 & 57	C141-004-6608	88	90	583594-7
OBSOLETE	43 & 48	C141-004-6610	88	90	583594-6
OBSOLETE	6 & 85	C141-004-6601	88	90	583594-5
OBSOLETE	14 & 77	C141-004-6603	88	90	583594-4
OBSOLETE	22 & 69	C141-004-6605	88	90	583594-3
OBSOLETE	30 & 61	C141-004-6607	88	90	583594-2
OBSOLETE	38 & 53	C141-004-6609	88	90	583594-1

LOCATION OF KEYING HOLES ④	CUSTOMER MARKING ②	NO OF CONTACTS	NO OF POSN	ASSEMBLY NUMBER
----------------------------	--------------------	----------------	------------	-----------------

THIS DRAWING IS A CONTROLLED DOCUMENT.

DWN	C.C.THOMAS	1-22-97
CHK	D.MILLER	2-6-97
APVD	D.MILLER	2-6-97
PRODUCT SPEC		
APPLICATION SPEC		
WEIGHT		

**tyco Electronics** Tyco Electronics Corporation  
Harrisburg, PA 17105-3608

NAME: BOX RCPT ASSY, .075 C/L, WITH SOLDER EYELET CONTACT

SIZE	CAGE CODE	DRAWING NO	RESTRICTED TO
A2	00779	C=583594	

CUSTOMER DRAWING SCALE 4:1 SHEET 1 of 1 REV K