

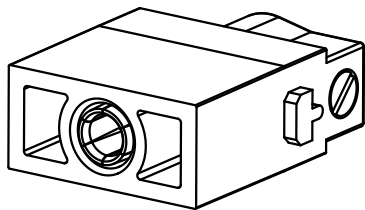
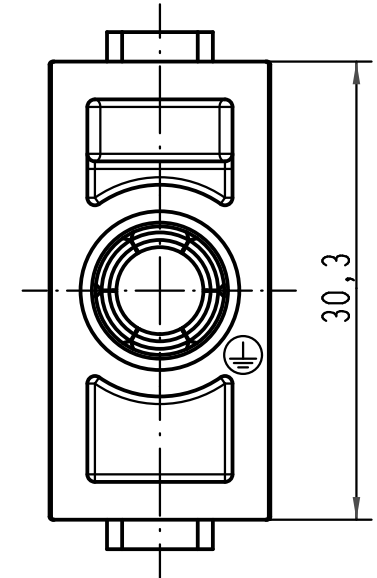
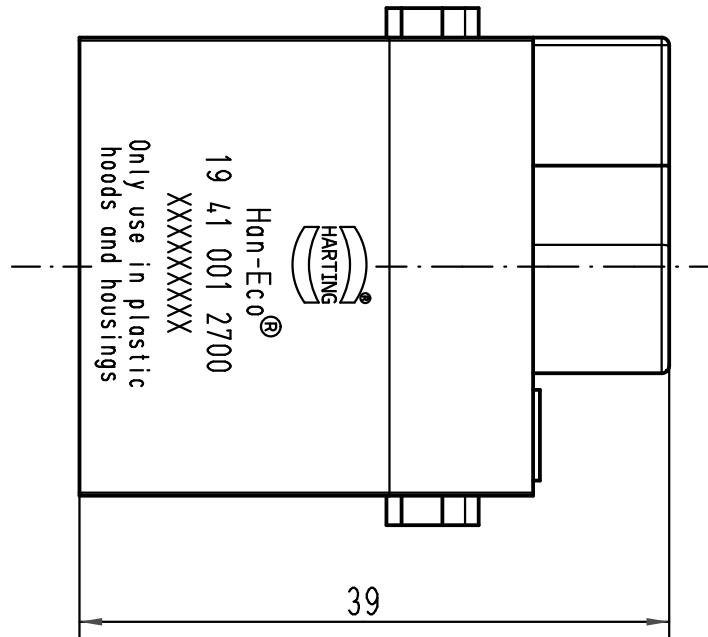
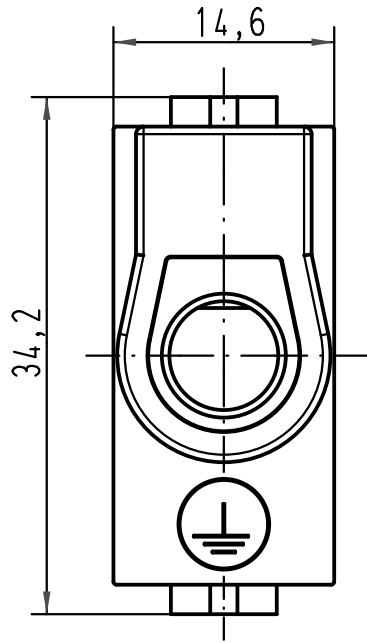
1 2 3 4 5 6

A

B

C

D



| | | | | | | |
|---|------|-------------------|---|------|---|--|
| All Dimensions in mm Original Size DIN A 4 | | Techn. Character. | | | Nicht tolerierte Maß/Free size tolerances | |
| | | | Dat. | Name | Maßstab/Scale 2:1 | Han-Eco PE-Modul <i>Han-Eco PE-module</i> Buchsenträger/female insert |
| | | Detail. | 25.10.10 | ML | | |
| | | Insp. | | SUN | | |
| | | Stand. | | | | |
| A | | | HARTING Electric GmbH & Co. KG D-32339 Espelkamp | | | TB 19 41 001 2700 |
| Mod. | Dat. | Name | | | | |