

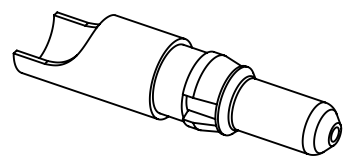
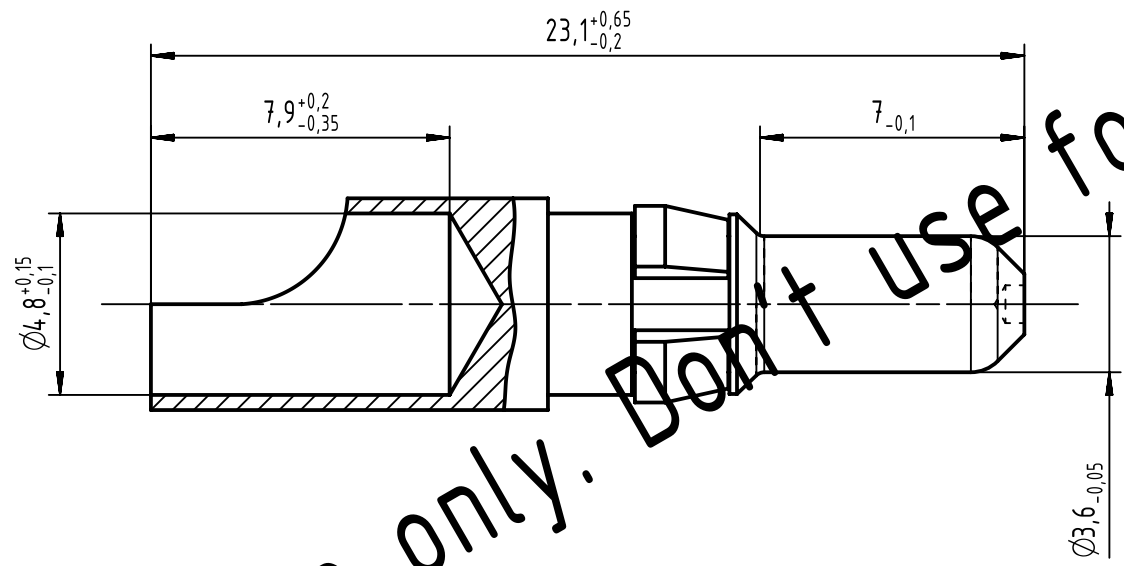
1 2 3 4 5 6

A


B

C

D



For information only. Don't use for new design.

	All rights reserved		Created by	Inspected by	Standardisation	Date	State	
	Department EC PD - DE		ELLERMANN	DAHMS	HOFFMANN	2013-09-16	Final Release	
HARTING Electronics GmbH		Title					Doc-Key / ECM-Nr.	
D-32339 Espelkamp		DIN Signal male contact power 40A str. solder pre 0,6					100072456/UGD/004/A 500000066399	
		Type	Number		Rev.		Page	
		TB	09030006111		A		1/1	