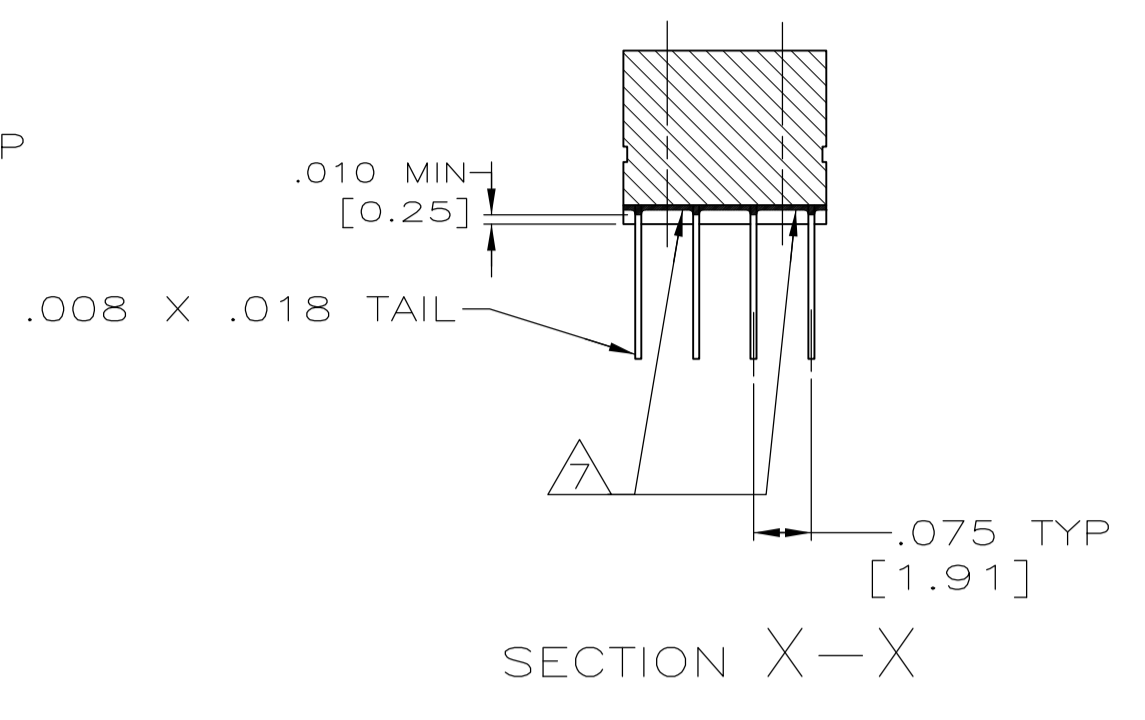
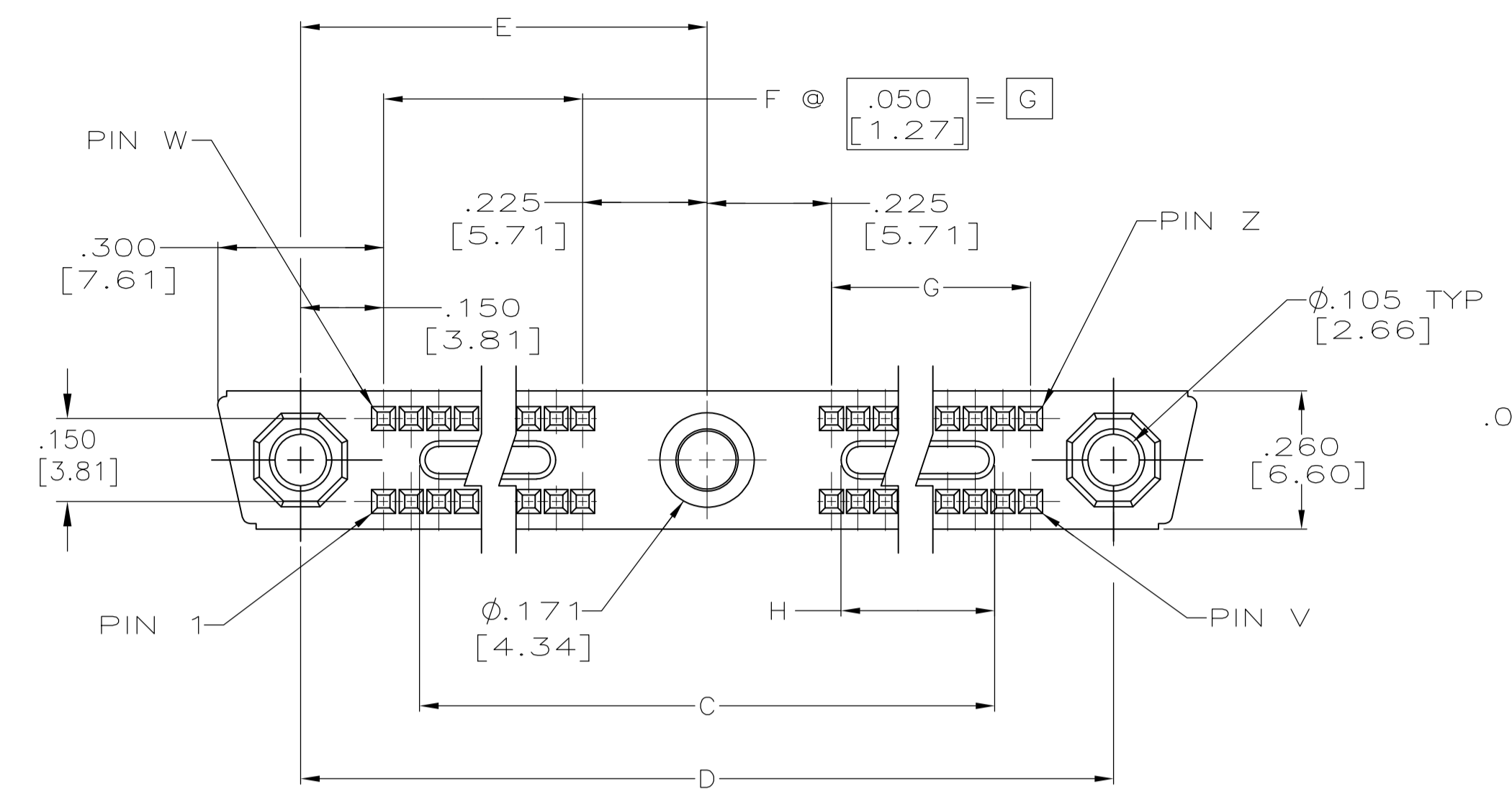
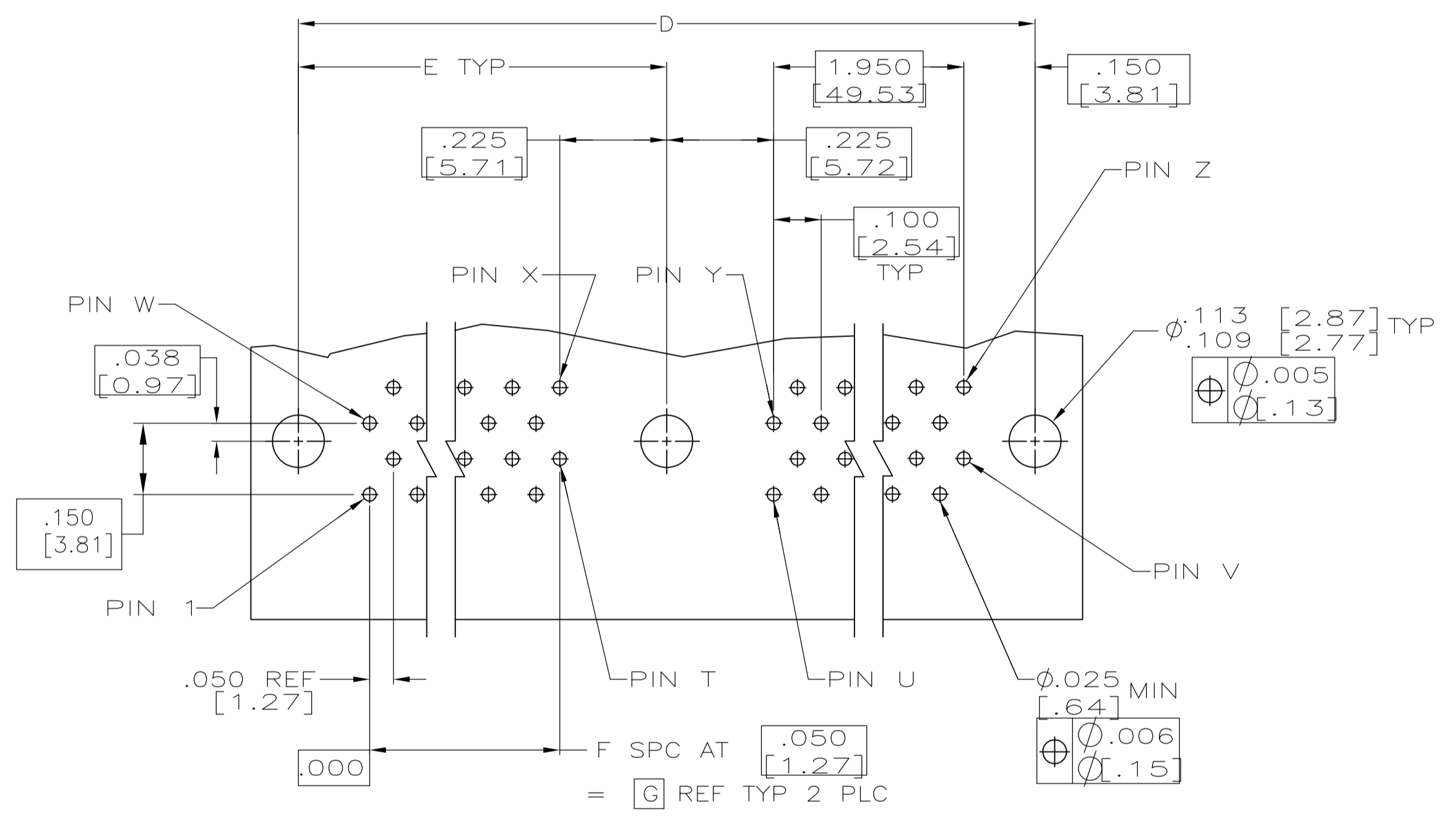
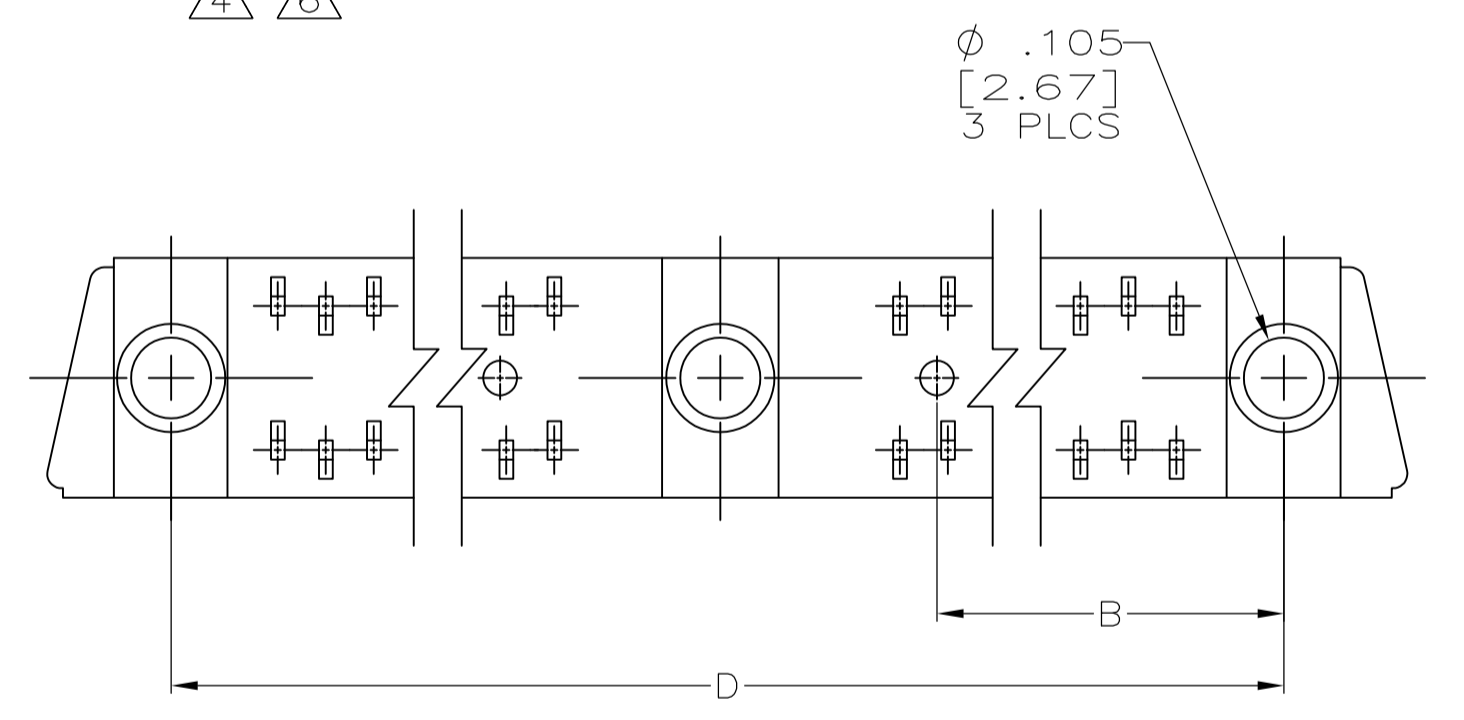
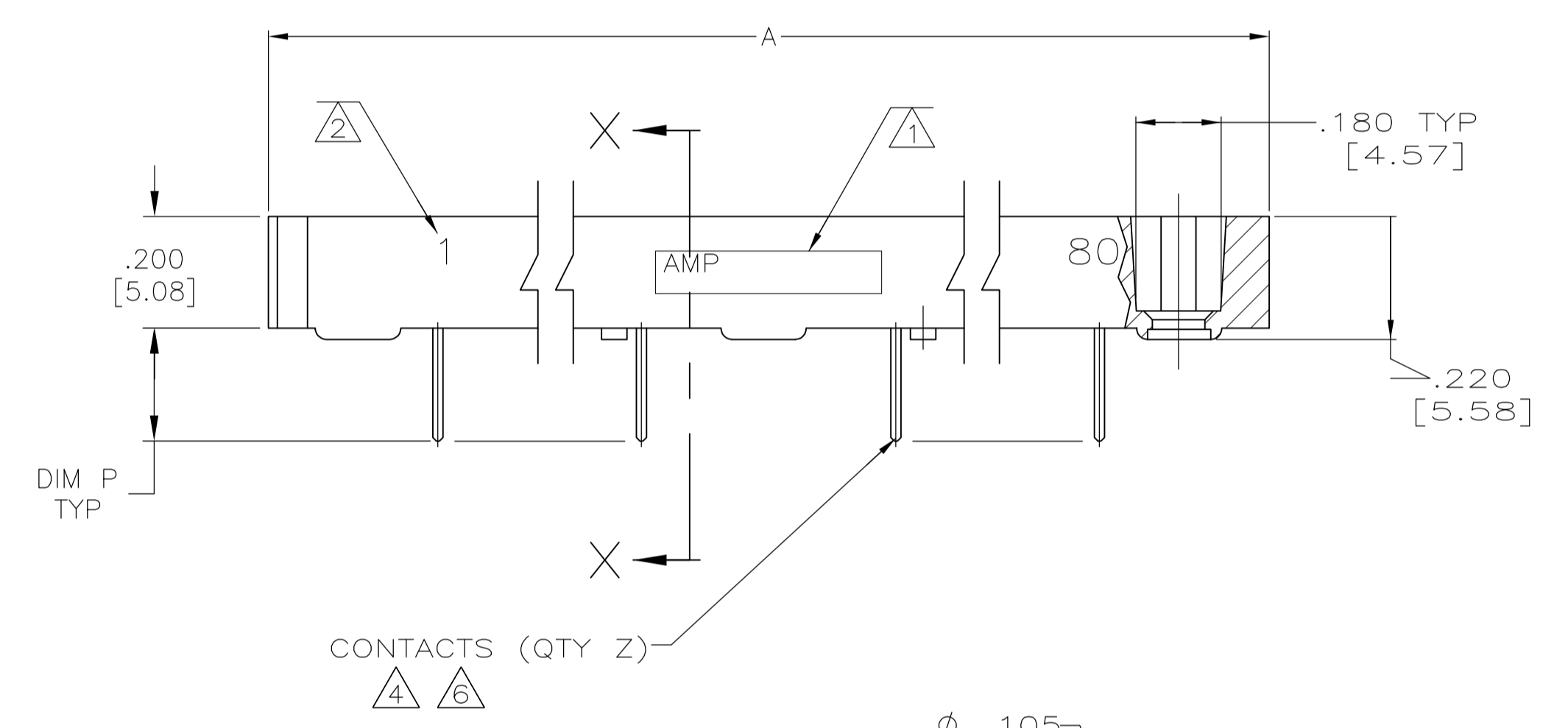


LOC		DIST		REVISIONS			
P	LTR	DESCRIPTION	DATE	DN	APVD		
D	REV PER ECO	11-022894	11-17-11	CT	DH		



- △ AMP, AMP PART NO. AND DATE CODE MARKED IN THIS APPROXIMATE AREA.
- △ NUMBERS INDICATING END POSITIONS MARKED THIS SIDE ONLY.
- 3. MEETS ALL APPLICABLE REQUIREMENTS OF MIL-C-55302.
- △ FINISH: .00050 [0.0012] GOLD PER MIL-G-45204 OVER NICKEL PER QQ-N-290 IN CONTACT AREA. REMAINDER OF CONTACT TIN-LEAD OVER NICKEL.
- △ HOUSING MATERIAL: LIQUID CRYSTAL POLYMER PER MIL-M-24519, GLCP-30F; COLOR: GRAY.
- △ CONTACT MATERIAL: PHOS BRONZE PER QQ-B-750
- △ EPOXY IS ADDED TO BOTTOM OF HOUSING TO PREVENT MIGRATION OF FLUXES AND CONFORMAL COATING INTO THE CONTACT ENGAGEMENT AREA.



RECOMMENDED PRINTED CIRCUIT BOARD LAYOUT (CONNECTOR SIDE)

.180 [4.57]	△	160	121	120	81	80	41	40	1 & 80	.300 [7.62]	.230 [5.84]	1.800 [45.72]	1.950 [49.53]	39	2.325 [59.06]	4.650 [118.11]	4.200 [106.68]	1.162 [29.51]	4.950 [125.73]	160	1218531-2
.200 [5.08]	△	160	121	120	81	80	41	40	1 & 80	.300 [7.62]	.230 [5.84]	1.800 [45.72]	1.950 [49.53]	39	2.325 [59.06]	4.650 [118.11]	4.200 [106.68]	1.162 [29.51]	4.950 [125.73]	160	1218531-1
P±.015 [±0.38]	REMARKS	Z	Y	X	W	V	U	T	CONTACT IDENT NUMBERS	K±.015 [±0.38]	J±.015 [±0.38]	H	G	F	E	D	C	B	A	NUMBER OF CONTACTS	PART NUMBER

THIS DRAWING IS A CONTROLLED DOCUMENT.

DIMENSIONS: INCHES [mm]	TOLERANCES UNLESS OTHERWISE SPECIFIED:	DIN C.C. THOMAS 9-22-99	DRW D. MILLER 9-22-99	NAME D. MILLER 9-22-99	RECEPTACLE ASSEMBLY, EXTENDED MINI-BOX WITH LOW FORCE CONTACTS, SPECIAL
0 PLC ± -	1 PLC ± -	2 PLC ± -	3 PLC ± .010 [0.25]	4 PLC ± -	ANGLES ± 0°30'
MATERIAL	FINISH	SIZE A1	CAGE CODE 00779	DRAWING NO. 1218531	RESTRICTED TO
△ 5	△ 6	△ 4	CUSTOMER DRAWING	SCALE 4:1	SHEET 1 OF 1