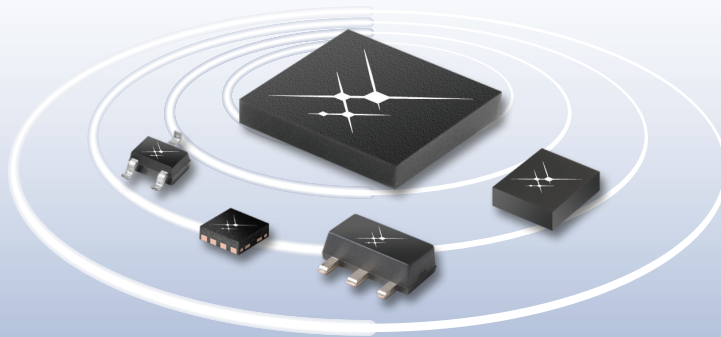




SKYWORKS®

BREAKTHROUGH SIMPLICITY



Smart Energy Solutions

Table of Contents

- Smart Energy Product Overview 3
- Custom Front-end Modules 4
- Product Specifications
 - Front-end Modules (FEMs) 4
 - Amplifiers 5
 - Power Management 6
 - Switches 7
 - Synthesizers 7
 - Voltage Controlled Oscillators (VCOs) 7
 - Diodes 7
 - Varactor 7
 - PIN 8
 - Schottky 8
- Skyworks Sales Offices 10

Smart Energy Solutions

Applications

- ZigBee® (IEEE 802.15.4)
- Industrial and Control Unlicensed Band Radios
- Plug-in Hybrid Electric Vehicles (PHEVs)
- 802.15.4g
- Home Security and Automation

Products

- Front-end Modules (FEMs)
- Power Amplifiers (PAs) and Drivers
- Low Noise Amplifiers (LNAs)
- Switches
- Phase Lock Loops (PLLs)
- Voltage Control Oscillators (VCOs)
- Synthesizers
- Diodes
- Power Management

Join Our Customer Email Program Today

Skyworks is continually releasing new products. Join our customer email program instantly by scanning the QR code with your smartphone.



For the latest information, visit our Web site at www.skyworksinc.com, contact your local sales office, or email us at sales@skyworksinc.com.



Innovation to Go™

Select products and sample/designer kits available for purchase online. www.skyworksinc.com



Skyworks lead (Pb)-free products are compliant to all applicable materials legislation. For additional information, refer to *Skyworks Definition of Lead (Pb)-Free*, document number SQ04-0073. Tin/lead (SnPb) packaging is not recommended for new designs.

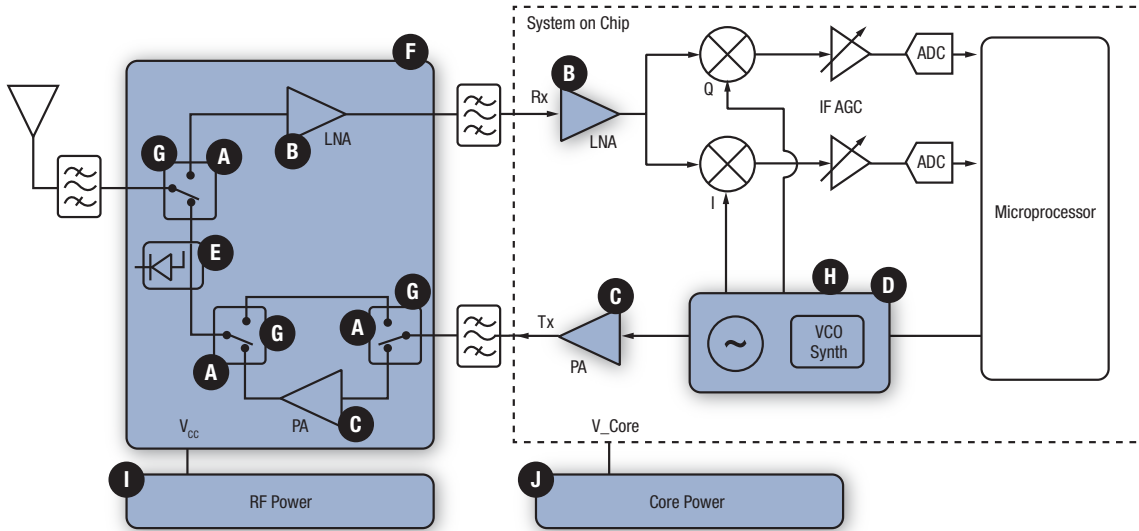


Skyworks Green™ products are compliant to all applicable materials legislation and are halogen-free. For additional information, please refer to *Skyworks Definition of Green™*, document number SQ04-0074.

Smart Energy Solutions

The Right Products for Your System Applications

Skyworks is committed to developing leading edge products for designs targeted at < 170, 410–470, 868–930, and 2400–2500 MHz radios. These solutions are ideal for wireless local area networks (WLAN), automated metering infrastructure (AMI), automated meter reading (AMR), professional mobile radio (PMR), and other ISM band applications. Figure 1 shows a short range radio block diagram.



Switches

- A** AS179-92LF
- AS193-73LF
- SKY13270-92LF
- SKY13299-321LF
- SKY13309-370LF
- SKY13318-321LF
- SKY13348-374LF
- SKY13370-374LF

PIN Diodes

- G** SMP1302-040LF
- SMP1302-079LF
- SMP1320-040LF
- SMP1320-079LF
- SMP1322-017LF
- SMP1340-040LF
- SMP1340-079LF
- SMP1345-518

LNAs

- B** SKY65045-70LF
- SKY65047-360LF
- SKY67013-396LF
- SKY67101-396LF

Power Drivers/Amplifiers

- C** SE2425U-R
- SE2433T-R
- SKY65006-348LF
- SKY65009-70LF
- SKY65045-70LF
- SKY65111-348LF
- SKY65116
- SKY65131
- SKY65132
- SKY65135
- SKY65146
- SKY65152
- SKY65162-70LF

Synthesizers/PLLs/VCOs

- D** SKY72300-21
- SKY72300-362
- SKY72301-22
- SKY72302-21
- SKY72310-362
- SKY73120

Varactor Diodes

- H** SMV1142-011LF
- SMV1233-011LF
- SMV1235-040LF
- SMV1235-079LF
- SMV1236-004LF
- SMV1247-011LF
- SMV1247-040LF
- SMV1249-040LF
- SMV1249-079LF
- SMV1251-001LF
- SMV1253-079LF
- SMV1255-011LF
- SMV1405-040LF
- SMV1405-079LF
- SMV1408-001LF
- SMV1413-079LF
- SMV1763-040LF
- SMV1763-079LF

Schottky Diodes

- E** SMS3926-023LF
- SMS3927-023LF
- SMS3928-023LF
- SMS7621-040LF
- SMS7621-060
- SMS7621-079LF
- SMS7630-040LF
- SMS7630-061
- SMS7630-079LF

Tx/Rx Front-end Modules

- F** SE2431L
- SE2432L
- SE2435L
- SE2436L
- SE2438T
- SE2442L
- SKY65313-21
- SKY65338
- SKY65342-11
- SKY65342-31
- SKY65346-21
- SKY65364-11
- SKY65367-11
- SKY66100-11

RF Power

- I** AAT2114A*
- SKY87201*

Core Power

- J** AAT2114A*
- SKY87201*

*Available exclusively outside of the United States and its territories.

Figure 1. Short Range Radio Block Diagram

Custom Front-end Modules (FEMs)

Skyworks’ custom FEMs allow for significant size and cost reduction. In addition, many of Skyworks’ FEMs are designed to allow for “plug and play” functionality, thus drastically reducing the design time for new products. Customized FEMs can be created depending on transceiver implementation requirements. Various modules are being targeted at < 170, 410–470, 868–930, and 2400–2500 MHz frequency bands. Figure 2 shows a custom FEM block diagram.

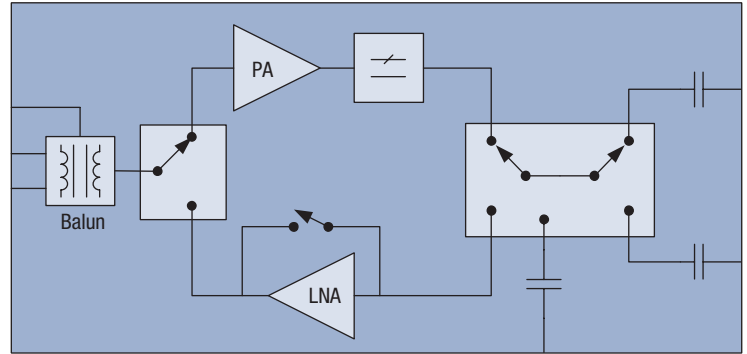


Figure 2. Custom Front-end Module (FEM)

Possibilities for Integration Include:

- T/R Switches
- Power Amplifiers
- Low Noise Amplifiers (LNAs)
- Mixers
- Harmonic Filters

Learn More

For additional information, please contact your local sales office or email us at sales@skyworksinc.com.

Product Specifications

Specification tables for all of our latest Smart Energy products are provided on the following pages.

FRONT-END MODULES

Table 1. Front-end Modules

Part Number	Function	P _{OUT} (dBm)	Tx Gain (dB)	Rx Gain (dB)	I _{CC} Tx (mA)	Package (mm)	Frequency Band (MHz)			
							< 170	410–470	868–930	2400–2500
SKY66100-11	Tx / Rx Front-end Module with Rx / Tx Bypass	20–27	30	-0.5	110–300	MCM 4 x 4	•			
SKY65367-11	High Power Tx / Rx Front-end Module with Rx / Tx Bypass	30	35	-0.5	600	MCM 4 x 4	•			
SKY65338	Tx / Rx Front-end Module	27	32	–	315	MCM 8 x 8		•		
SKY65342-11	High Power Tx / Rx Front-end Module with Rx Bypass	29	34	-0.6	650	MCM 8 x 8		•		
SKY65378	Low Power Front-end Module with Tx Bypass and LNA	–	–	14–17	3–7 ⁽¹⁾	QFN 4 x 4			•	
SKY65346-21	Tx / Rx Front-end Module with LNA	26	35	13.7	200	MCM 5 x 5			•	
SKY65313-21	Tx / Rx Front-end Module with LNA	30.5	28	16.6	695	MCM 6 x 6			•	
SKY65364	High Power Tx / Rx Front-end Module with LNA, PA, Tx/ Rx Bypass, HD Filter	30.5	30	15	730	MCM 6 x 6			•	
SE2435L	High Power Tx / Rx Front-end Module with LNA	30	28	16	550	QFN 4 x 4			•	
SE2442L	High Power Tx / Rx Front-end Module with Rx Bypass	30	28	-0.7	550	QFN 4 x 4			•	
SE2438T	Low Power Tx / Rx Front-end Module with LNA	10–14	16	12.3	20–33	QFN 3 x 3				•
SE2431L	Tx / Rx Front-end Module with LNA	20	23	12	110	QFN 3 x 4				•
SE2432L	Tx / Rx Front-end Module with LNA	20	22	11.5	110	QFN 3 x 4				•
SE2436L	High Power Tx / Rx Front-end Module with LNA	27	28	11.5	400	QFN 4 x 4				•

1. SKY65378: I_{CC} Rx gain value shown.

New products indicated in **blue**, **bold** are continually being introduced at Skyworks. For the latest information, please visit the new products section of our Web site at www.skyworksinc.com.

AMPLIFIERS

Table 2. Power Amplifiers

Part Number	Function	P _{OUT} (dBm)	Gain (dB)	P _{1dB} (dBm)	Package (mm)	Frequency Band (MHz)		
						450	915	2400
SE2433T	2-Stage Power Amplifier	24	22	24	QFN 2.5 x 2			•

Part Number	Function	Gain (dB)	P _{1dB} (dBm)	I _{CC} (mA)	Package (mm)	Frequency Band (MHz)		
						450	915	2400
SKY65116	2-Stage Power Amplifier	33	33	320	MCM 8 x 8	•		
SKY65111-348LF	3-Stage Power Amplifier	39.5	29.5	250	QFN 3 x 3		•	
SKY65006-348LF	3-Stage Power Amplifier	27.5	23.4	50	QFN 3 x 3			•
SKY65131	2-Stage Power Amplifier	26	28	150	MCM 4 x 4			•
SKY65132	3-Stage Power Amplifier	33	30	330	MCM 6 x 6			•
SKY65009-70LF	Single Stage Driver	17	25	110	SOT-89 4.5 x 2.4	•	•	•
SKY65045-70LF	Single Stage Driver	14 dB @ 900 MHz	25	60	SOT-89 4.5 x 2.4	•	•	
SKY65162-70LF	Single Stage Driver	20	29	185	SOT-89 4.5 x 2.4	•	•	•
SKY65152-11	3-Stage Power Amplifier	32	33	490	MCM 6 x 6			•
SKY67130-396LF	Single Stage Driver	13	16	22	DFN 2 x 2	•	•	•

Table 3. Low Noise Amplifiers


Part Number	Function	Gain (dB)	NF (dB)	I _{CC} (mA)	IP _{1dB} (dBm)	Package (mm)	Frequency Band (MHz)		
							450	915	2400
SKY65050-372LF	LNA, Discrete (250–6000 MHz)	16 dB @ 900 MHz	0.6	10	-9	SC-70 2.2 x 1.35	•	•	•
SKY65047-360LF	LNA with Shutdown Mode	16.5 dB @ 915 MHz	0.85	7.8	-7	QFN 2 x 2	•	•	•
SKY65405-21	LNA with Shutdown Mode	14	1	12	-3	QFN 1.5 x 1.5			•
SKY67012-396LF	LNA, Discrete (300–600 MHz)	16	0.9	15	-1	DFN 2 x 2	•		
SKY67013-396LF	LNA, Discrete (600–1500 MHz)	14.5	0.85	15	2.5	DFN 2 x 2		•	
SKY67014-396LF	LNA, Discrete (1500–3000 MHz)	12	0.95	5	5	DFN 2 x 2			•
SKY67110-396LF	LNA, High Linearity	21	0.65	77	2	DFN 2 x 2	•		
SKY67101-396LF	LNA, High Linearity	17.9	0.5	56	2.6	DFN 2 x 2		•	
SKY67102-396LF	LNA, High Linearity	17.2	0.8	50	-1	QFN 2 x 2			•

New products indicated in **blue**, **bold** are continually being introduced at Skyworks. For the latest information, please visit the new products section of our Web site at www.skyworksinc.com.

POWER MANAGEMENT

Battery Chargers

Table 4. Supercapacitor Charger

Part Number	Function	Fault Flag	V_{IN} (V)	Package (mm)
 AAT4712	Supercapacitor Charger with Input Current Limit	POK; RDY	2.5–5.5	TDFN34 16L 3 x 4

Voltage Regulation—DC/DC Converters (Switching Regulators)

Table 5. Step Down Converter





Part Number	Min. V_{IN} (V)	Max. V_{IN} (V)	Min. V_{OUT} (V)	Max. V_{OUT} (V)	I_{OUT} (mA)	f_{OSC} (kHz)	Typ. I_Q (μ A)	Package (mm)
 AAT2114A ⁽¹⁾	2.7	5.5	1	V_{IN}	2500	3000	70	QFN 16L 3 x 3 x 0.9
 SKY87201-11 ⁽¹⁾	2.7	5.5	0.6	V_{IN}	600	2000	37	SC70JW 8L 2 x 2.1 x 1.05

Table 6. Step Up Converter

Part Number	Function	V_{OUT} (V)	Typ. I_Q (μ A)	I_{OUT} (mA)	Package (mm)
 AAT1219 ⁽¹⁾	Step Up Converter	2.4 to $V_{OUT} + 0.25$	58	1200	TDFN33 12L 3 x 3


Low Drop-Out (LDO) Linear Regulator

Table 7. Low Drop-Out (LDO) Linear Regulator

Part Number	Function	V_{IN} (V)	Typ. I_Q (μ A)	Max. I_{OUT} (mA)	Package (mm)
 AAT3221	Ultra Low IQ LDO	$V_{OUT} - 5.5$	1.1	150	SOT-23 5L 2.85 x 2.80 SC70JW 8L 2.2 x 2.0

Port Protection and Power Distribution

Table 8. Slew Rate Controlled

Part Number	Function	V_{IN} (V)	Typ. I_Q (μ A)	Typ. $R_{DS(ON)}$ (m Ω)	Package (mm)
 AAT4282B	Dual Slew Rate Limited Load Switch with Ultra Low Shutdown Current	1.5–6.5	0.1	70	TDFN22 8L 2 x 2

1. Available exclusively outside of the United States and its territories.

New products indicated in **blue**, **bold** are continually being introduced at Skyworks. For the latest information, please visit the new products section of our Web site at www.skyworksinc.com.

SWITCHES

Table 9. SPDT Switches

Part Number	Function	Insertion Loss (dB)	Isolation (dB)	P _{1dB} (dBm)	Input IP3 (dBm)	Package (mm)	Frequency Band (MHz)		
							450	915	2400
SKY13268-344LF	SPDT Switch, Low Loss	0.3	25	30	50	SOT-666 1.5 x 1.2	•	•	•
SKY13309-370LF	SP3T Switch, Low Loss	0.5	25	29	–	QFN 2 x 2	•	•	•
AS179-92LF	SPDT Switch, Low Loss	0.3	25	30	48	SC-88 2.2 x 2	•	•	•
AS214-92LF	SPDT Switch, Low Loss	0.3	30	20	40	SC-88 2.2 x 2	•	•	•
SKY13270-92LF	SPDT Switch, Low Loss	0.35	24	>37	56	SC-88 2.1 x 2.0	•	•	•
AS193-73LF	SPDT Switch, Low Loss	0.35	24	37	55	SOT-6 2.8 x 2.9	•	•	•
SKY13348-374LF	SPDT Switch	0.6	27	37	52	DFN 1.5 x 1.5	•	•	•
SKY13370-374LF	SPDT Switch	0.7	31	39	55	DFN 1.5 x 1.5	•	•	•
SKY13299-321LF	SPDT Switch	0.3–0.75	30–22	39	57	QFN 3 x 3	•	•	•
SKY13318-321LF	DPDT Switch	0.95–1.15	22–15	34	57	QFN 3 x 3	•	•	•

SYNTHESIZERS

Table 10. Dual and Single Fractional-N Synthesizers

Part Number	Function	Phase Noise (dBc/Hz)	Direct Modulation	I _{DD} (mA)	Package (mm)	Frequency Band (MHz)		
						450	915	2400
SKY72300-21	Dual Frac-N Synthesizer	-91	FSK, FM, GMSK	12.5	TSSOP 9.7 x 6.4	•	•	
SKY72300-362	Dual Frac-N Synthesizer	-91	FSK, FM, GMSK	12.5	QFN 4 x 4	•	•	
SKY72301	Dual Frac-N Synthesizer	-96	FSK, FM, GMSK	11	TSSOP 9.7 x 6.4	•	•	
SKY72302	Dual Frac-N Synthesizer	-80	FSK, FM, GMSK	18	TSSOP 9.7 x 6.4	•	•	•
SKY72310-362LF	Single Frac-N Synthesizer	-91	FSK, FM, GMSK	12.5	QFN 4 x 4	•	•	

VOLTAGE CONTROLLED OSCILLATORS (VCOs)

Table 11. Voltage Controlled Oscillators (VCOs)

Part Number	Function	Phase Noise (dBc/Hz)	Direct Modulation	I _{DD} (mA)	Package (mm)	Frequency Band (MHz)		
						450	915	2400
SKY73120	CMOS VCO	-110 @ 25 kHz Offset	0	26	MCM 6 x 6		•	

DIODES

Table 12. Varactor Diodes for Tuning Applications

Part Number	Function	Capacitance (C _T)	Capacitance Ratio (C _R)	Series Resistance (R _S)/Quality Factor	Package (mm)	Frequency Band (MHz)		
						450	915	2400
SMV1405-079LF	VCO Tuning	1.8 pF @ 1 V	C _{T0} /C _{T30} = 4.1	Q @ 4 V 50 MHz = 3200	SC-79 1.6 x 0.8	•	•	•
SMV1405-040LF	VCO Tuning	1.8 pF @ 1 V	C _{T0} /C _{T30} = 4.1	Q @ 4 V 50 MHz = 3200	0402 1.0 x 0.6	•	•	•
SMV1413-079LF	VCO Tuning	6.4 pF @ 1 V	C _{T0} /C _{T30} = 4.2	Q @ 4 V 50 MHz = 2400	SC-79 1.6 x 0.8	•	•	•
SMV1408-001LF	VCO Tuning	2.9 pF @ 1 V	C _{T0} /C _{T30} = 4.1	Q @ 4 V 50 MHz = 2900	SOT-23 2.9 x 2.35	•	•	•
SMV1247-011LF	VCO Tuning	7 pF @ 0.3 V	C _{T0.3} /C _{T4.7} = 10	Q @ 3 V 50 MHz = 1500	SOD-323 2.5 x 1.25	•	•	•
SMV1247-040LF	VCO Tuning	7 pF @ 0.3 V	C _{T0.3} /C _{T4.7} = 10	Q @ 3 V 50 MHz = 1500	0402 1.0 x 0.6	•	•	•
SMV1249-040LF	VCO Tuning	31 pF @ 0.3 V	C _{T0.3} /C _{T4.7} = 12.1	R _S @ 3 V 500 MHz = 1.2 Ω	0402 1.0 x 0.6	•	•	•

New products indicated in **blue**, **bold** are continually being introduced at Skyworks. For the latest information, please visit the new products section of our Web site at www.skyworksinc.com.

DIODES (CONTINUED)

Table 13. Varactor Diodes for Tuning Applications (Continued)

Part Number	Function	Capacitance (C _v)	Capacitance Ratio (C _v)	Series Resistance (R _s)/ Quality Factor	Package (mm)	Frequency Band (MHz)		
						450	915	2400
SMV1249-079LF	VCO Tuning	31 pF @ 0.3 V	C _{10.3} /C _{14.7} = 12.1	R _s @ 3 V 500 MHz = 2.2 Ω	SC-79 1.6 x 0.8	•	•	•
SMV1251-001LF	VCO Tuning	42 pF @ 0.3 V	C _{10.3} /C _{14.7} = 12.2	R _s @ 3 V 500 MHz = 1.6 Ω	SOT-23 2.9 x 2.35	•	•	•
SMV1253-079LF	VCO Tuning	53 pF @ 0.3 V	C _{10.3} /C _{14.7} = 12.3	R _s @ 3 V 500 MHz = 1.4 Ω	SC-79 1.6 x 0.8	•	•	•
SMV1255-011LF	VCO Tuning	64 pF @ 0.3 V	C _{10.3} /C _{14.7} = 12.3	R _s @ 3 V 500 MHz = 1.3 Ω	SOD-323 2.5 x 1.25	•	•	•
SMV1233-011LF	VCO Tuning	3.3 pF @ 1 V	C ₁₁ /C ₁₃ = 1.5	R _s @ 3 V 500 MHz = 1.2 Ω	SOD-323 2.5 x 1.25	•	•	•
SMV1236-004LF	VCO Tuning	17 pF @ 1 V	C ₁₁ /C ₁₃ = 1.6	R _s @ 3 V 500 MHz = 0.5 Ω	SOT-23 2.9 x 2.35	•	•	•
SMV1763-040LF	VCO Tuning	5.2 pF @ 1 V	C _{10.5} /C _{12.5} = 2.3	R _s @ 1 V 900 MHz = 0.7 Ω	0402 1.0 x 0.6	•	•	•
SMV1763-079LF	VCO Tuning	5.2 pF @ 1 V	C _{10.5} /C _{12.5} = 2.5	R _s @ 1 V 500 MHz = 0.7 Ω	SC-79 1.6 x 0.8	•	•	•
SMV1142-011LF	VCO Tuning	8.2 pF @ 1 V	C ₁₁ /C ₁₃ = 1.5	R _s @ 3 V 500 MHz = 0.7 Ω	SOD-323 2.5 x 1.25	•	•	•
SMV1235-079LF	VCO Tuning	11.5 pF @ 1 V	C ₁₁ /C ₁₃ = 1.8	R _s @ 3 V 500 MHz = 0.6 Ω	SC-79 1.6 x 0.8	•	•	•
SMV1235-040LF	VCO Tuning	11.5 pF @ 1 V	C ₁₁ /C ₁₃ = 1.8	R _s @ 3 V 500 MHz = 0.6 Ω	0402 1.0 x 0.6	•	•	•

Table 14. PIN Diodes for Switching Applications

Part Number	Function	Voltage Breakdown (V _p)	Capacitance (C _v)	Series Resistance (R _s)	Package (mm)	Frequency Band (MHz)		
						450	915	2400
SMP1345-518	Antenna Switch	50 V @ 10 μA	0.18 pF @ 5 V	R _s @ 10 mA = 1.5 Ω	LGA 1.2 x 1.4	•	•	•
SMP1340-040LF	T/R Switch	50 V @ 10 μA	0.20 pF @ 5 V	R _s @ 10 mA = 0.9 Ω	0402 1.0 x 0.6	•	•	•
SMP1340-079LF	Antenna Switch	50 V @ 10 μA	0.20 pF @ 5 V	R _s @ 10 mA = 0.9 Ω	SC-79 1.6 x 0.8	•	•	•
SMP1322-017LF	T/R Switch	50 V @ 10 μA	1.0 pF @ 30 V	R _s @ 10 mA = 0.5 Ω	SOT-143 2.37 x 2.92	•	•	•
SMP1320-040LF	T/R Switch	50 V @ 10 μA	0.25 pF @ 30 V	R _s @ 10 mA = 0.9 Ω	0402 1.0 x 0.6	•	•	•
SMP1320-079LF	T/R Switch	50 V @ 10 μA	0.30 pF @ 30 V	R _s @ 10 mA = 0.9 Ω	SC-79 1.6 x 0.8	•	•	•
SMP1302-079LF	Attenuator Switch	200 V @ 10 μA	0.30 pF @ 30 V	R _s @ 10 mA = 3.0 Ω	SC-79 1.6 x 0.8	•	•	•
SMP1302-040LF	T/R Switch	50 V @ 10 μA	0.30 pF @ 30 V	R _s @ 10 mA = 0.9 Ω	0402 1.0 x 0.6	•	•	•

Table 15. Schottky Diodes for Detector and Mixer Applications

Part Number	Function	Voltage Breakdown (V _B)	Capacitance (C _v)	Forward Voltage (V _F)	Package (mm)	Frequency Band (MHz)		
						450	915	2400
SMS7630-040LF	Detector	1 V @ 10 μA	0.30 pF @ 0.15 V	V _F @ 0.1 mA = 60–120 mV	SC-79 1.6 x 0.8	•	•	•
SMS7630-079LF	Detector	1 V @ 10 μA	0.30 pF @ 0.15 V	V _F @ 0.1 mA = 60–120 mV	0402 1.0 x 0.6	•	•	•
SMS7630-061	Detector	1 V @ 10 μA	0.30 pF @ 0.15 V	V _F @ 0.1 mA = 60–120 mV	0201 0.60 x 0.30	•	•	•
SMS7621-040LF	Detector/Mixer	2 V @ 10 μA	0.18 pF @ 0.15 V	V _F @ 1.0 mA = 260–320 mV	0402 1.0 x 0.6	•	•	•
SMS7621-079LF	Detector/Mixer	2 V @ 10 μA	0.18 pF @ 0.15 V	V _F @ 1.0 mA = 260–320 mV	SC-79 1.6 x 0.8	•	•	•
SMS7621-060	Detector/Mixer	2 V @ 10 μA	0.18 pF @ 0.15 V	V _F @ 1.0 mA = 260–320 mV	0201 0.60 x 0.30	•	•	•
SMS3926-023LF	Low Drive Mixer	2 V @ 10 μA	0.30 pF @ 0 V	V _F @ 1.0 mA = 200–270 mV	SOT-143 2.37 x 2.92	•	•	•
SMS3927-023LF	Medium Drive Mixer	2 V @ 10 μA	0.30 pF @ 0 V	V _F @ 1.0 mA = 310–370 mV	SOT-143 2.37 x 2.92	•	•	•
SMS3928-023LF	High Drive Mixer	4 V @ 10 μA	0.30 pF @ 0 V	V _F @ 1.0 mA = 520–580 mV	SOT-143 2.37 x 2.92	•	•	•

New products indicated in **blue**, **bold** are continually being introduced at Skyworks. For the latest information, please visit the new products section of our Web site at www.skyworksinc.com.

Copyright © 2011, 2012, 2013 Skyworks Solutions, Inc. All Rights Reserved.

Information in this document is provided in connection with Skyworks Solutions, Inc. ("Skyworks") products or services. These materials, including the information contained herein, are provided by Skyworks as a service to its customers and may be used for informational purposes only by the customer. Skyworks assumes no responsibility for errors or omissions in these materials or the information contained herein. Skyworks may change its documentation, products, services, specifications or product descriptions at any time, without notice. Skyworks makes no commitment to update the materials or information and shall have no responsibility whatsoever for conflicts, incompatibilities, or other difficulties arising from any future changes.

No license, whether express, implied, by estoppel or otherwise, is granted to any intellectual property rights by this document. Skyworks assumes no liability for any materials, products or information provided hereunder, including the sale, distribution, reproduction or use of Skyworks products, information or materials, except as may be provided in Skyworks Terms and Conditions of Sale.

THE MATERIALS, PRODUCTS AND INFORMATION ARE PROVIDED "AS IS" WITHOUT WARRANTY OF ANY KIND, WHETHER EXPRESS, IMPLIED, STATUTORY, OR OTHERWISE, INCLUDING FITNESS FOR A PARTICULAR PURPOSE OR USE, MERCHANTABILITY, PERFORMANCE, QUALITY OR NON-INFRINGEMENT OF ANY INTELLECTUAL PROPERTY RIGHT; ALL SUCH WARRANTIES ARE HEREBY EXPRESSLY DISCLAIMED. SKYWORKS DOES NOT WARRANT THE ACCURACY OR COMPLETENESS OF THE INFORMATION, TEXT, GRAPHICS OR OTHER ITEMS CONTAINED WITHIN THESE MATERIALS. SKYWORKS SHALL NOT BE LIABLE FOR ANY DAMAGES, INCLUDING BUT NOT LIMITED TO ANY SPECIAL, INDIRECT, INCIDENTAL, STATUTORY, OR CONSEQUENTIAL DAMAGES, INCLUDING WITHOUT LIMITATION,

LOST REVENUES OR LOST PROFITS THAT MAY RESULT FROM THE USE OF THE MATERIALS OR INFORMATION, WHETHER OR NOT THE RECIPIENT OF MATERIALS HAS BEEN ADVISED OF THE POSSIBILITY OF SUCH DAMAGE.

Skyworks products are not intended for use in medical, lifesaving or life-sustaining applications, or other equipment in which the failure of the Skyworks products could lead to personal injury, death, physical or environmental damage. Skyworks customers using or selling Skyworks products for use in such applications do so at their own risk and agree to fully indemnify Skyworks for any damages resulting from such improper use or sale.

Customers are responsible for their products and applications using Skyworks products, which may deviate from published specifications as a result of design defects, errors, or operation of products outside of published parameters or design specifications. Customers should include design and operating safeguards to minimize these and other risks. Skyworks assumes no liability for applications assistance, customer product design, or damage to any equipment resulting from the use of Skyworks products outside of stated published specifications or parameters.

Skyworks, the Skyworks symbol, "Breakthrough Simplicity," Green, Green Initiative and Innovation to Go are trademarks or registered trademarks of Skyworks Solutions, Inc., in the United States and other countries. Third-party brands and names are for identification purposes only, and are the property of their respective owners. Additional information, including relevant terms and conditions, posted at www.skyworksin.com, are incorporated by reference.



- Sales Offices
- ◆ Design Centers
- ★ Manufacturing

www.skyworksinc.com

USA

Headquarters: Massachusetts
 Skyworks Solutions, Inc.
 20 Sylvan Road
 Woburn, MA 01801
 Telephone: (781) 376-3000
 Fax: (781) 376-3100
sales@skyworksinc.com

California
 Skyworks Solutions, Inc.
 5221 California Avenue
 Irvine, CA 92617
 Telephone: (949) 231-3000
 Fax: (949) 231-3206
sales@skyworksinc.com

Skyworks Solutions, Inc.
 3230 Scott Boulevard
 Santa Clara, CA 95054
 Telephone: (408) 330-1400
 Fax: (408) 737-4611
sales@skyworksinc.com

Maryland
 Skyworks Solutions, Inc.
 5520 Adamstown Road
 Adamstown, MD 21710
 Telephone: (301) 695-9400
 Fax: (301) 695-7065
transtech@skyworksinc.com

EUROPE

France
 Skyworks Semiconductor SAS
 60 rue Saint André des Arts
 Bâtiment D
 75006 Paris
 France
 Telephone: +33 1 43548540
 Fax: +33 1 43540005
irene.pfeiffer@skyworksinc.com

United Kingdom
 Skyworks Solutions, Ltd.
 Liberty House
 New Greenham Park
 Newbury
 Berkshire
 RG19 6HW UK
 Telephone: +44 7909 526 595
 Fax: +44 1635 817 263
robert.brophy@skyworksinc.com

Finland
 Skyworks Solutions, Inc.
 Keilasatama 3
 02150 Espoo
 Finland
 Telephone: +358 925107131
tommi.hiillos@skyworksinc.com

ASIA • PACIFIC

China
 Skyworks Solutions Commercial
 (Shenzhen) Co., Ltd. Shanghai Branch
 Room 2901-02, Chong Hing
 Finance Center
 No. 288 Nanjing Road (W)
 Shanghai 200003 China
 Telephone: +86 21 23066230
 Fax: +86 21 33663398
elaine.zhao@skyworksinc.com

Skyworks Solutions, Inc.
 Room 05, 11/F, Tower 2
 Kerry Plaza
 No. 1 Zhongxinsi Road
 Futian District
 Shenzhen 518048 China
 Telephone: +86 755 8291 3788
 ext. 60017
 Fax: +86 755 8293 1633
sabrina.chen@skyworksinc.com

Skyworks Solutions, Inc.
 Suite 1315, Tower B, COFCO Plaza, No. 8
 Jianguomennei Avenue
 Dongcheng District
 Beijing 100005 China
 Telephone: +8610 652 60859
 ext. 61608
 Fax: +8610 652 61358
david.qi@skyworksinc.com

Japan
 Skyworks Solutions, Inc.
 3-20-2 Nishi-Shinjuku
 Shinjuku-ku
 Opera City Tower
 Tokyo, 163-1436
 Japan
 Telephone: +81 3 5308 5180
 Fax: +81 3 5308 5190
ahihiro.karikomi@skyworksinc.com

Korea
 Skyworks Solutions, Inc.
 12th Floor West Wing Posco Center
 892 Daechi 4-dong, Gangnam-ku
 Seoul, Korea 135-777
 Telephone: +82 2 3490 3800
jina.lee@skyworksinc.com

Singapore
 Skyworks Global Pte Ltd.
 10 Ang Mo Kio Street 65
 #05-15/16 Techpoint
 Singapore 569059
 Telephone: +65 64031971
 Fax: +65 64031931
yuenfong.choong@skyworksinc.com

Taiwan
 Skyworks Solutions, Inc.
 4 F, #198, Section 2
 Tun Hwa S. Road
 Taipei 106, Taiwan ROC
 Telephone: +8862 5559 8990
 Fax: +8662 2735 6508
christina.hsu@skyworksinc.com

Skyworks Solutions

Skyworks Solutions, Inc. is an innovator of high performance analog semiconductors. Leveraging core technologies, Skyworks supports automotive, broadband, cellular infrastructure, energy management, GPS, industrial, medical, military, wireless networking, smartphone, and tablet applications. The Company's portfolio includes amplifiers, attenuators, circulators, demodulators, detectors, diodes, directional couplers, front-end modules, hybrids, infrastructure RF subsystems, isolators, lighting and display solutions, mixers, modulators, optocouplers, optoisolators, phase shifters, PLLs/synthesizers/VCOs, power dividers/combiners, power management devices, receivers, switches, and technical ceramics.

Headquartered in Woburn, Massachusetts, USA, Skyworks is worldwide with engineering, manufacturing, sales, and service facilities throughout Asia, Europe, and North America.

New products are continually being introduced at Skyworks. For the latest information, visit our Web site at www.skyworksinc.com, contact your local sales office, or email us at sales@skyworksinc.com.

The Skyworks Advantage

- Broad front-end module and precision analog product portfolio
- Market leadership in key product segments
- Solutions for all air interface standards, including CDMA, GSM / GPRS / EDGE, LTE, WCDMA, and WLAN
- Engagements with a diverse set of top-tier customers
- Strategic partnerships with all leading baseband suppliers
- Analog, RF, and mixed-signal design capabilities
- Access to all key process technologies: GaAs HBT, pHEMT, BiCMOS, SiGe, CMOS and RF CMOS, and Silicon
- World-class manufacturing capabilities and scale
- Unparalleled level of customer service and technical support
- Commitment to technology innovation



Skyworks Solutions, Inc.

20 Sylvan Road, Woburn, MA 01801

USA: (781) 376-3000 • Asia: 886 2 2735 0399

Europe: 33 (0)1 43548540 • Fax: (781) 376-3100

Email: sales@skyworksinc.com • www.skyworksinc.com

NASDAQ: SWKS



BRO388-13B 2/13  Printed on Recycled Paper.

