

IEC Appliance Inlet C14 or C18 with Fuseholder 1- or 2-pole



Snap-in version



**Description**

- Panel Mount :  
Snap-in version , from front side Appliance Inlet , Protection class I , Fuseholder for fuse-links 5 x 20 mm
- Solder terminals or quick connect terminals

**Approvals**

- UL File Number: E93617
- CSA File Number: 27324

**Characteristics**

- The fuse drawer "Fingerrip" can be removed by hand

**Weblinks**

[pdf datasheet](#), [html-datasheet](#), [General Product Information](#), [RoHS](#), [CHINA-RoHS](#), [REACH](#), [Distributor-Stock-Check](#), [Accessories](#), [Detailed request for product](#)

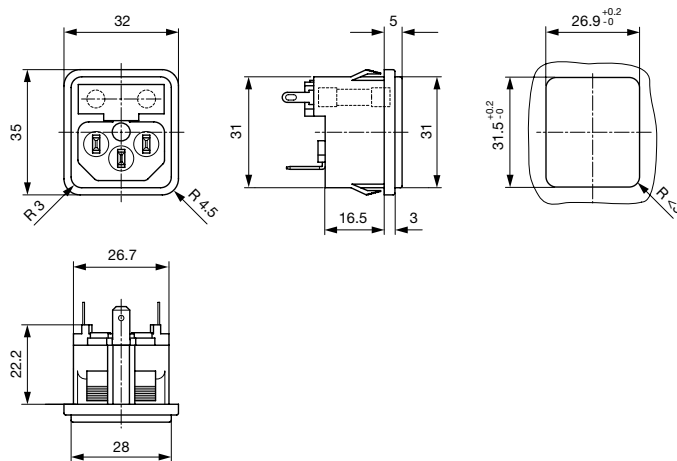
**Technical Data**

|                                 |                                                                         |
|---------------------------------|-------------------------------------------------------------------------|
| Ratings IEC                     | 10A / 250VAC; 50Hz                                                      |
| Ratings UL/CSA                  | 10A / 250VAC; 60Hz                                                      |
| Dielectric Strength             | > 3kVAC between L-N<br>> 1.5kVAC between L/N-PE<br>(1 min/50Hz)         |
| Allowable Operation Temperature | -25 °C to 70 °C                                                         |
| IP-Protection                   | from front side IP 20 acc. to IEC 60529                                 |
| Insulation cover                | Suitable for appliances with protection class I or II acc. to IEC 61140 |
| Terminal                        | Solder terminals or quick connect terminals                             |
| Panel Thickness s               | Snap-in<br>1.0 - 2.5 mm                                                 |
| Material: Housing               | PA6, black / grey / white, UL 94V-0                                     |

|                              |                                                                                                                                      |
|------------------------------|--------------------------------------------------------------------------------------------------------------------------------------|
| appliance inlet/-outlet      | C14 / C18 acc. to IEC 60320-1<br>UL 498, CSA C22.2 no. 42 (for cold conditions) pin-temperature 70 °C, 10A, Protection Class I or II |
| Fuseholder                   | 1 or 2 pole, acc. to IEC 60127-6, for fuse-links 5 x 20mm                                                                            |
| Power Acceptance @ Ta > 23°C | Admissible power acceptance at higher ambient temperature see derating curves                                                        |

Detailed information on product approvals, code requirements, usage instructions and detailed test conditions can be looked up in [General Product Information](#)

Dimensions

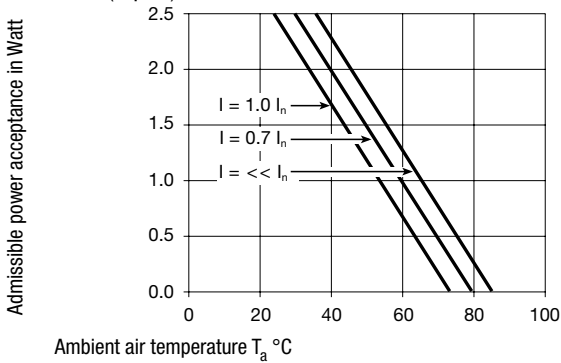


Length of the terminal please find at the order code configuration table

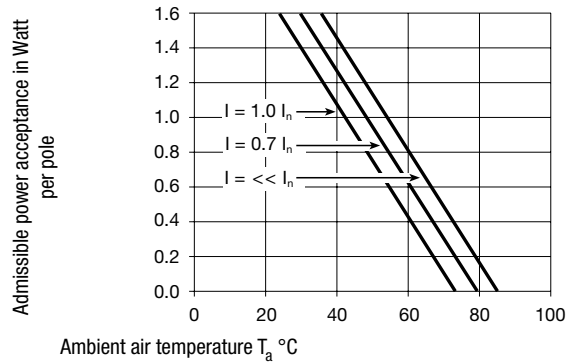
Derating Curves

Fuses

5 x 20 mm (1-pole)



2-pole



Config. Code

1064 - H - A B C N - D - E G O

The characters are placeholders for the correspondingly keys of selections from the key tables.

1064 - **H** - A B C N - D - E G O = Type

| Type                | Configuration key |
|---------------------|-------------------|
| protection class II | B                 |
| protection class I  | X                 |

1064 - H - **A** B C N - D - E G O = Terminals

| Terminal L                         | Configuration key |
|------------------------------------|-------------------|
| short solder terminal (L = 4.8 mm) | 2                 |
| long solder terminal (L = 8.5 mm)  | 3                 |

| Terminal L                    | Configuration key |
|-------------------------------|-------------------|
| Blade terminal (4.8 x 0.8 mm) | 8                 |
| Blade terminal (6.3 x 0.8 mm) | 9                 |
| connection to fuse holder     | B                 |

1064 - H - A **B** C N - D - E G O = Terminals

| Terminal N                         | Configuration key |
|------------------------------------|-------------------|
| short solder terminal (L = 4.8 mm) | 2                 |
| long solder terminal (L = 8.5 mm)  | 3                 |
| Blade terminal (4.8 x 0.8 mm)      | 8                 |
| Blade terminal (6.3 x 0.8 mm)      | 9                 |

Symbols similar as in table A

| Terminal N                | Configuration key |
|---------------------------|-------------------|
| connection to fuse holder | B                 |

Symbols similar as in table A

1064 - H - A B **C** N - D - E G O = Terminals

| Terminal Ground                    | Configuration key |
|------------------------------------|-------------------|
| without terminal                   | 0                 |
| short solder terminal (L = 4.8 mm) | 2                 |
| long solder terminal (L = 8.5 mm)  | 3                 |
| Blade terminal (4.8 x 0.8 mm)      | 8                 |
| Blade terminal (6.3 x 0.8 mm)      | 9                 |

Symbols similar as in table A

1064 - H - A B C **N** - D - E G O = Terminal Fuseholder

| Terminal Fuseholder | Configuration key |
|---------------------|-------------------|
| solder terminal     | 1                 |

1064 - H - A B C N - **D** - E G O = Color

| Color | Configuration key |
|-------|-------------------|
| Black | A                 |

| Color | Configuration key |
|-------|-------------------|
| Grey  | B                 |
| White | D                 |

1064 - H - A B C N - D - **E** G O = Style

| Style                 | Configuration key |
|-----------------------|-------------------|
| snap-in standard type | 3                 |

1064 - H - A B C N - D - E **G** O = Mass S

| Mass "s" | Configuration key |
|----------|-------------------|
| 00       |                   |

The dimension "S" is displayed in ( $1/_{10}$  mm). This information is also valid for the order code

1064 - H - A B C N - D - E G **O** = Features

| Features                                                     | Configuration key |
|--------------------------------------------------------------|-------------------|
| dead cover                                                   | 1                 |
| holder for 1 or 2 fuses (text legible, when inlet on top)    | 4                 |
| holder for 1 or 2 fuses (text legible, when inlet on bottom) | 5                 |

All Variants

| Type               | Terminal L                | Terminal N                         | Terminal Ground                    | Color | Style                 | Features                                                     | Config. Code       | Order Number |
|--------------------|---------------------------|------------------------------------|------------------------------------|-------|-----------------------|--------------------------------------------------------------|--------------------|--------------|
| protection class I | connection to fuse holder | short solder terminal (L = 4.8 mm) | short solder terminal (L = 4.8 mm) | Black | snap-in standard type | holder for 1 or 2 fuses (text legible, when inlet on top)    | 1064-X-B221-A-3004 | 4304.6025    |
| protection class I | connection to fuse holder | Blade terminal (4.8 x 0.8 mm)      | Blade terminal (4.8 x 0.8 mm)      | Black | snap-in standard type | holder for 1 or 2 fuses (text legible, when inlet on top)    | 1064-X-B881-A-3004 | 4304.6026    |
| protection class I | connection to fuse holder | Blade terminal (6.3 x 0.8 mm)      | Blade terminal (6.3 x 0.8 mm)      | Black | snap-in standard type | holder for 1 or 2 fuses (text legible, when inlet on top)    | 1064-X-B991-A-3004 | 4304.6027    |
| protection class I | connection to fuse holder | connection to fuse holder          | short solder terminal (L = 4.8 mm) | Black | snap-in standard type | holder for 1 or 2 fuses (text legible, when inlet on top)    | 1064-X-BB21-A-3004 | 4304.6028    |
| protection class I | connection to fuse holder | connection to fuse holder          | short solder terminal (L = 4.8 mm) | Black | snap-in standard type | holder for 1 or 2 fuses (text legible, when inlet on bottom) | 1064-X-BB21-A-3005 | 4304.6029    |
| protection class I | connection to fuse holder | connection to fuse holder          | Blade terminal (4.8 x 0.8 mm)      | Black | snap-in standard type | holder for 1 or 2 fuses (text legible, when inlet on top)    | 1064-X-BB81-A-3004 | 4304.6030    |
| protection class I | connection to fuse holder | connection to fuse holder          | Blade terminal (6.3 x 0.8 mm)      | Black | snap-in standard type | holder for 1 or 2 fuses (text legible, when inlet on top)    | 1064-X-BB91-A-3004 | 4304.6031    |
| protection class I | connection to fuse holder | connection to fuse holder          | short solder terminal (L = 4.8 mm) | White | snap-in standard type | holder for 1 or 2 fuses (text legible, when inlet on top)    | 1064-X-BB21-D-3004 | 4304.6129    |

The listed variants should be available from stock Other versions on request [www.schurter.com/contact](http://www.schurter.com/contact)

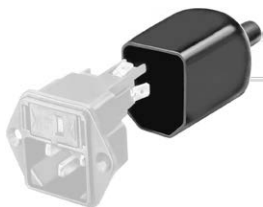
Most Popular.

Availability for all products can be searched real-time: <http://www.schurter.com/en/Stock-Check/Stock-Check-SCHURTER>

Packaging unit 50 Pcs

Accessories

Description



Assorted Covers  
Rear Cover

Mating Outlets/Connectors

Category / Description



Appliance Outlet Overview complete

|                                                                                                   |      |
|---------------------------------------------------------------------------------------------------|------|
| IEC Appliance Outlet F, Screw-on Mounting, Front Side, Solder Terminal                            | 4787 |
| IEC Appliance Outlet F, Snap-in Mounting, Front Side, Solder or Quick-connect Terminal            | 4788 |
| IEC Appliance Outlet F or H, Screw-on Mounting, Front Side, Solder, PCB or Quick-connect Terminal | 5091 |

Appliance Outlet further types to 1064

Connector Overview complete



|                                                                                              |         |
|----------------------------------------------------------------------------------------------|---------|
| 4782 Mounting: Power Cord, 3 x 1 mm <sup>2</sup> / 3 x 18 AWG, Cable, Connector: IEC C13     | 4782    |
| 4022 Mounting: Power Supply Cord, 3 x 1.5 mm <sup>2</sup> , Screw clamps, Connector: IEC C13 | 4022    |
| 4785 Mounting: Power Cord, 3 x 1 mm <sup>2</sup> / 3 x 18 AWG, Cable, Connector: IEC C13     | 4785    |
| 4300-06 Mounting: Power Cord, 3 x 1 mm <sup>2</sup> / 3 x 18 AWG, Cable, Connector: IEC C13  | 4300-06 |
| 4012 Mounting: Power Supply Cord, 3 x 1.5 mm <sup>2</sup> , Screw clamps, Connector: IEC C13 | 4012    |

Connector further types to 1064

...