

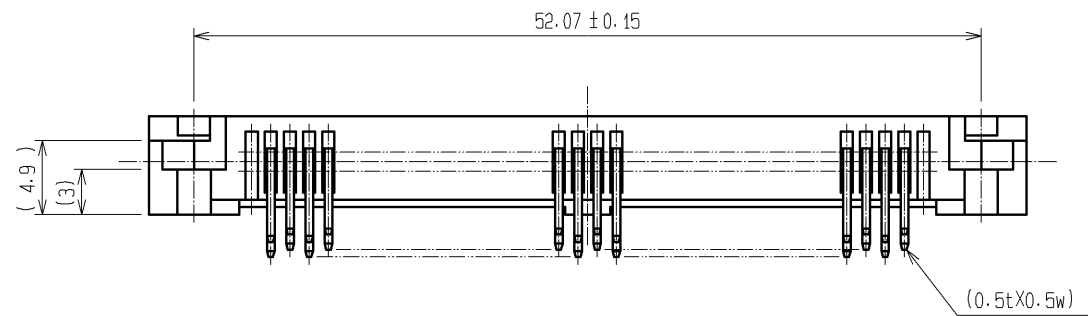
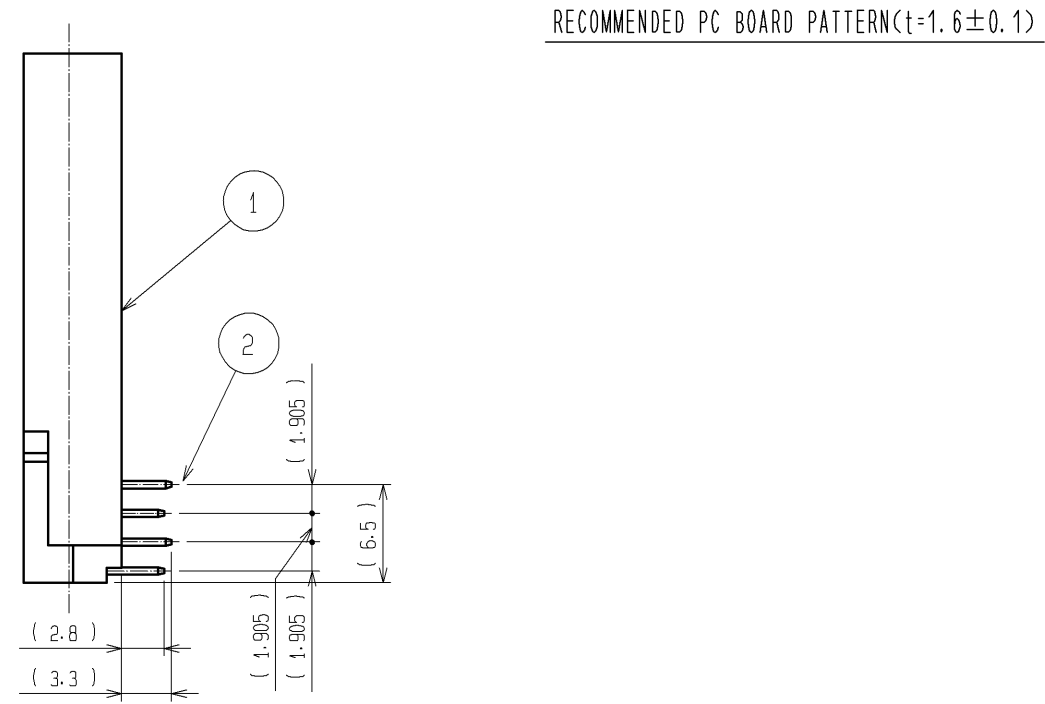
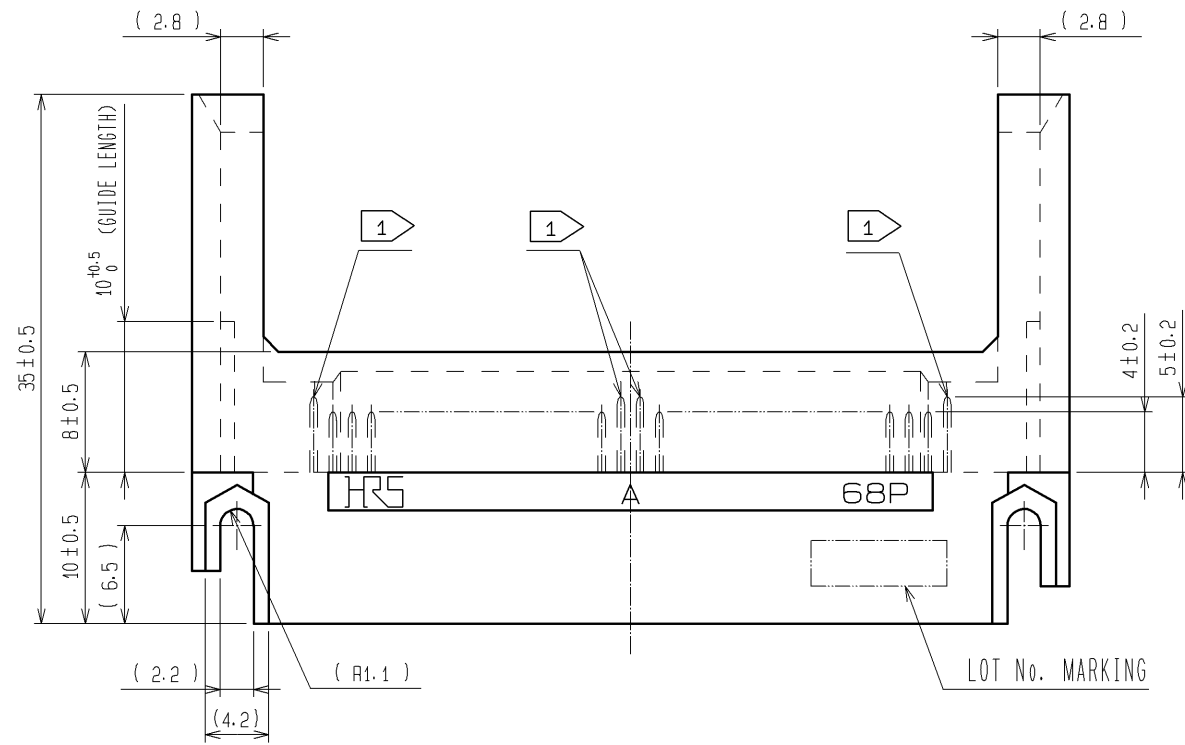
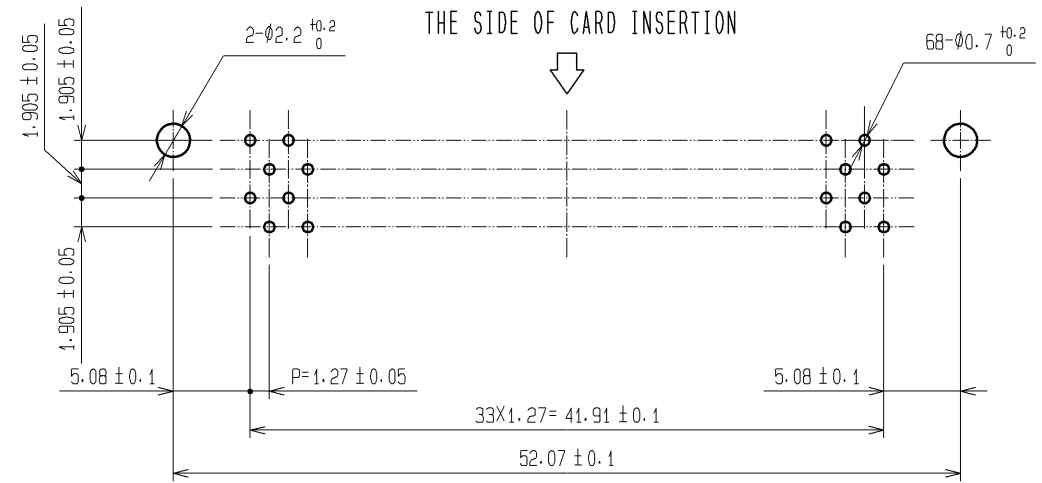
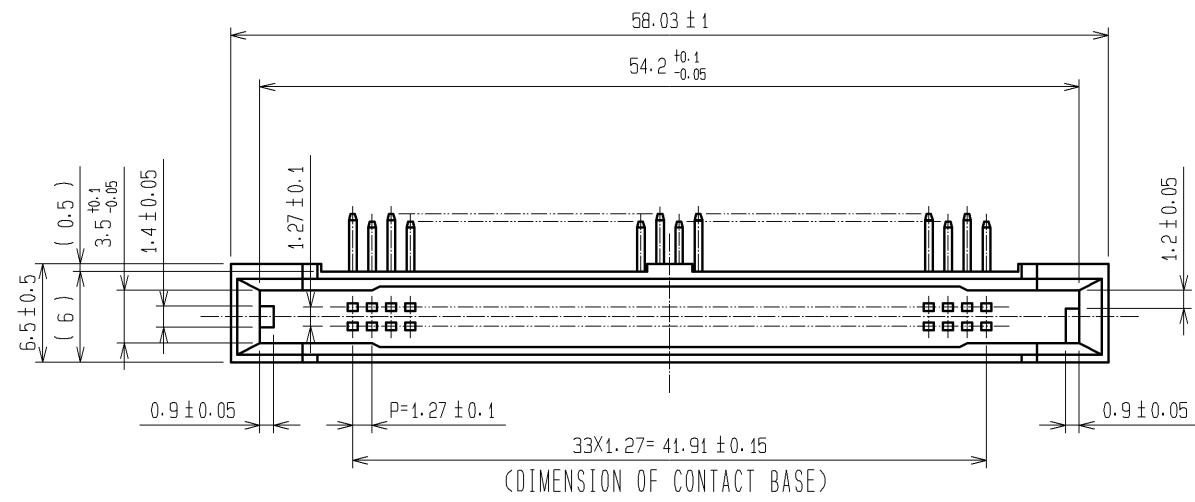


APPLICABLE STANDARD		PC Card Standard				
RATING	OPERATING TEMPERATURE RANGE	-55 °C TO +85 °C		STORAGE TEMPERATURE RANGE	-40 °C TO +70 °C	
	VOLTAGE	1~68: AC 125V		OPERATING HUMIDITY RANGE	95%MAXIMUM (NON-CONDENSING)	
	CURRENT	1~68: 0.5A				
SPECIFICATIONS						
ITEM		TEST METHOD		REQUIREMENTS	QT	AT
CONSTRUCTION						
GENERAL EXAMINATION		VISUALLY AND BY MEASURING INSTRUMENT.		ACCORDING TO DRAWING.	X	X
MARKING		CONFIRMED VISUALLY.			X	X
ELECTRIC CHARACTERISTICS						
CONTACT RESISTANCE (LOW LEVEL) [MIL-STD-1344A] METHOD 3002.1		OPEN VOLTAGE 20 mV AC MAX, TEST CURRENT 1mA.		INITIALLY 40mΩ MAXIMUM.	X	-
WITHSTANDING VOLTAGE METHOD 301		500 Vrms AC IS APPLIED FOR 1 MINUTE.		NO SHORTING OR OTHER DAMAGES.	X	-
INSULATION RESISTANCE METHOD 302		MEASURE WITHIN 1 MINUTE AFTER APPLYING 500 V DC.		INITIALLY 1000 MΩ MINIMUM.	X	-
MECHANICAL CHARACTERISTICS						
TOTAL INSERTION FORCE		MEASURED BY APPLICABLE CONNECTOR.		39.2 N MAXIMUM	X	-
TOTAL PULLING FORCE				6.67 N MINIMUM AND 39.2 N MAXIMUM.	X	-
MECHANICAL OPERATION [OFFICE ENVIRONMENT]		10000 TIMES INSERTIONS AND WITH DRAWAL SHALL BE MADE AT THE CYCLE RATE 400 TO 600 CYCLES/h.		① CONTACT RESISTANCE :AFTER TEST 20 mΩ MAXIMUM CHANGE. ② NO MECHANICAL DAMAGE SHALL OCCUR ON THE PARTS.	X	-
VIBRATION AND HIGH FREQUENCY METHOD 204D		FREQUENCY 10 TO 2000 Hz, AMPLITUDE 1.52 mm, 147 m/s ² PEAK FOR 4 h, IN 3 DIRECTIONS.		① MUST NOT CAUSE CURRENT INTERRUPTION GREATER THAN 100 ns. ② NO MECHANICAL DAMAGE SHALL OCCUR ON THE PARTS.	X	-
SHOCK METHOD 213B		ACCELERATION 490 m/s ² STANDARD HOLDING TIME 11 ms, SEMI-SINE WAVE FOR 3TIMES IN 3 DIRECTION.		① MUST NOT CAUSE CURRENT INTERRUPTION GREATER THAN 100 ns. ② NO MECHANICAL DAMAGE SHALL OCCUR ON THE PARTS.	X	-
ENVIRONMENTAL CHARACTERISTICS						
MOISTURE RESISTANCE METHOD 106E		10 CYCLES (1 CYCLE=24 HOURS)WITH CONNECTORS ENGAGED. AFTER THE TEST,THE TEST SAMPLE SHALL BE LEFT AT THE AMBIENT TEMP. FOR 1 TO 2 HOURS.		① CONTACT RESISTANCE :AFTER TEST 20 mΩ MAXIMUM CHANGE. ② INSULATION RESISTANCE :AFTER TEST 100 MΩ MINIMUM. ③ NO HEAVY CORROSION.	X	-
THERMAL SHOCK METHOD 107G		TEMPERATURE -55→+5 TO 35→+85→+5 TO 35 °C TIME 30 → 5 MAX → 30 → 5MAXmin. UNDER 5 CYCLES WITH CONNECTORS ENGAGED. AFTER THE TEST,THE TEST SAMPLE SHALL BE LEFT AT THE AMBIENT TEMP. FOR 1 TO 2 HOURS.		① CONTACT RESISTANCE :AFTER TEST 20 mΩ MAXIMUM CHANGE. ② INSULATION RESISTANCE :AFTER TEST 100 MΩ MINIMUM. ③ NO PHYSICAL DAMAGE SHALL OCCUR DURING TESTING.	X	-
	COUNT	DESCRIPTION OF REVISIONS	DESIGNED	CHECKED	DATE	
REMARK				APPROVED	KI. AKIYAMA	08.10.28
				CHECKED	SI. TOMIOKA	08.10.28
				DESIGNED	NH. SUGITA	08.10.28
Unless otherwise specified, refer to MIL-STD-202F.				DRAWN	NH. TAMAI	08.10.27
Note QT:Qualification Test AT:Assurance Test X:Applicable Test			DRAWING NO.		ELG4-020579-01	
	SPECIFICATION SHEET		PART NO.	IC1-68PD-1. 27DS (72)		
	HIROSE ELECTRIC CO., LTD.		CODE NO.	CL640-0002-4-72		1/2

SPECIFICATIONS					
ITEM	TEST METHOD	REQUIREMENTS	QT	AT	
DURABILITY (HIGH TEMPERATURE) METHOD 108A	EXPOSED AT 85 °C, 250 HOURS WITH CONNECTORS ENGAGED. AFTER THE TEST, THE TEST SAMPLE SHALL BE LEFT AT THE AMBIENT TEMP. FOR 1 TO 2 HOURS.	① CONTACT RESISTANCE :AFTER TEST 20 mΩ MAXIMUM CHANGE. ② NO PHYSICAL DAMAGE SHALL OCCUR DURING TESTING.	X	—	
COLD RESISTANCE [JIS C 0020]	EXPOSED AT -55 °C, 96 HOURS WITH CONNECTORS ENGAGED. AFTER THE TEST, THE TEST SAMPLE SHALL BE LEFT AT THE AMBIENT TEMP. FOR 1 TO 2 HOURS.	① CONTACT RESISTANCE :AFTER TEST 20 mΩ MAXIMUM CHANGE. ② NO PHYSICAL DAMAGE SHALL OCCUR DURING TESTING.	X	—	
HUMIDITY (NORMAL CONDITION) METHOD 103B	EXPOSED AT 40±2 °C, 90 TO 95 % RH 96 HOURS WITH CONNECTORS ENGAGED. AFTER THE TEST, THE TEST SAMPLE SHALL BE LEFT AT THE AMBIENT TEMP. FOR 1 TO 2 HOURS.	① CONTACT RESISTANCE :AFTER TEST 20 mΩ MAXIMUM CHANGE. ② INSULATION RESISTANCE :AFTER TEST 100 MΩ MINIMUM. ③ NO PHYSICAL DAMAGE SHALL OCCUR DURING TESTING.	X	—	
HYDROGEN SULPHIDE [JEIDA-38]	EXPOSED IN 3 PPM HYDROGEN SULFIDE, 40±2°C, APPROX.80% RH, 96 HOURS, WITH CONNECTORS ENGAGED. AFTER THE TEST, THE TEST SAMPLE SHALL BE LEFT AT THE AMBIENT TEMP. FOR 1 TO 2 HOURS.	① CONTACT RESISTANCE :AFTER TEST 20 mΩ MAXIMUM CHANGE. ② NO HEAVY CORROSION	X	—	
CORROSION SALT MIST METHOD 101D	EXPOSED IN 5±1 % SALT WATER SPRAY, 35±2°C, 48 HOURS, WITH CONNECTORS ENGAGED. AFTER THE TEST, THE TEST SAMPLE SHALL BE RINSED WITH WATER AND DRIED AT THE AMBIENT TEMP. FOR 24 HOURS.	NO HEAVY CORROSION.	X	—	
Note QT:Qualification Test AT:Assurance Test X:Applicable Test			DRAWING NO.		ELC4-020579-01
	SPECIFICATION SHEET		PART NO.	IC1-68PD-1. 27DS (72)	
	HIROSE ELECTRIC CO., LTD.		CODE NO	CL640-0002-4-72	 2/2



NOTE 1 THERE ARE TOTAL NUMBER OF 8 SEQUENCE CONTACTS, PLACED AT THE BOTH ENDS AND THE CENTER.

2	BRASS	CONTACT AREA: Ni2.5 μ m+Au0.2 μ m
		DIP AREA: Ni2.5 μ m+Sn2 μ m
1	PBT	BLACK UL94V-0
NO.	MATERIAL	FINISH . REMARKS

UNITS mm		SCALE 2 : 1	COUNT \triangle	DESCRIPTION OF REVISIONS	DESIGNED	CHECKED	DATE
APPROVED : KI. AKIYAMA 08.10.28				DRAWING NO. EDC3-020579-01			
CHECKED : SI. TOMIOKA 08.10.28				PART NO. IC1-68PD-1.27DS(72)			
DESIGNED : NH. SUGITA 08.10.28				CODE NO. CL640-0002-4-72			
DRAWN : NH. TAMAI 08.10.27				\triangle 1/1			