

Technical Data

QUARTZ CRYSTAL SPECIFICATION

Ref. No. _____
 Date _____
 Page _____ of _____

SaRonix
 PART NO. : _____ REV. : A
 SPEC NO. : _____

CUSTOMER: _____
 PART NO. : _____
 DWG. or SPEC NO. : _____ REV. _____

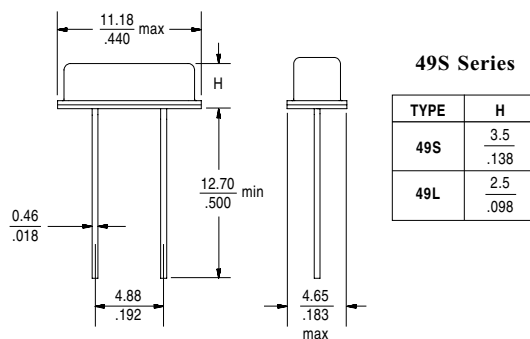
ELECTRICAL:

- 1.0 Operating Temperature Range _____ °C to _____ °C.
 2.0 Frequency Temperature Stability = ± _____ ppm over _____ °C to _____ °C.

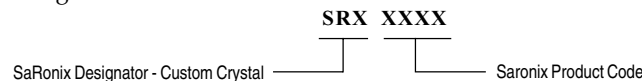
3.0 Specifications at 25°C ±2°C:	Value	Units
3.1 Frequency		MHz
3.2 Frequency Calibration Tolerance		ppm
3.3 Load Capacitance		pF
3.4 Effective Series Resistance		Ohms, Max.
3.5 Drive Level - correlation		μW
	operating	μW
	maximum	μW
3.6 Shunt Capacitance		pF, Max.
3.7 Oscillation Mode		
3.8		
3.9		
4.0 Test Circuit		

MECHANICAL:

- 5.0 Package Type: 49S 49L
 5.1 Package Details



- 6.0 Standard Marking Formats



- 7.0 Notes