

Dual Monolithic Buck Regulator with Power-On Reset and Watchdog Timer

DESCRIPTION

Demonstration circuit 1359 is a Dual Monolithic Buck Regulator with Power-On Reset and Watchdog Timer featuring the LT3640. The board operates from inputs up to 35V and withstands transients up to 55V. The outputs are 3.3V, 0.8A and 1.2V, 1A. At light loads, both regulators operate in low ripple Burst Mode® to maintain high efficiency and low output ripple. Users can populate R13 on the EN/UVLO pin to provide a programmable under voltage lockout. Both channels have cycle-by-cycle current limit, providing protection against shorted outputs.

The power-on reset and watchdog timer periods are independently adjustable using external capacitors. Tight accuracy specifications and glitch immunity ensure reliable operation of the circuit. Watchdog can be enabled or disabled by JP1.

The circuit can be synchronized to an external clock connected to the SYNC terminal. If the SYNC function is used, the R_t resistor (R9) should be chosen to set the LT3640 internal switching frequency at least 20% below the lowest synchronization input frequency.

The LT3640 datasheet gives complete descriptions of the part, operation and application information. The datasheet must be read in conjunction with this quick start guide for working on or modifying the demo circuit 1359.

Design files for this circuit board are available. Call the LTC factory.

LT, LTC, LTM, LT are trademarks of Linear Technology Corporation. Other product names may be trademarks of the companies that manufacture the products.

PERFORMANCE SUMMARY Specifications are at TA = 25°C

SYMBOL	PARAMETER	CONDITIONS	MIN	TYP	MAX	UNITS
V_{IN}	Input Supply Range	$V_{OUT1} = 3.3V, I_{OUT1} = 0.8A$ $V_{OUT2} = 1.2V, I_{OUT2} = 1A$	5		35	V
V_{OUT1}	Output Voltage 1	$V_{IN} = 12V, I_{OUT1} = 0.8A$	3.20	3.30	3.40	V
V_{OUT2}	Output Voltage 2	$V_{IN} = 12V, I_{OUT2} = 1A$	1.16	1.20	1.24	V
I_{OUT1}	Output Current 1		0		0.8	A
I_{OUT2}	Output Current 2		0		1	A
I_Q	No Load Quiescent Current	$V_{IN} = 12V, V_{OUT1} = 3.3V, V_{OUT2} = 1.2V, \text{No Load}$		0.33		mA
F_{SW}	Switching Frequency		1.75	2	2.35	MHz
T_{WDU}	Watchdog Upper Boundary Period	$C7 = 1500pF$		55.5		ms
T_{WDL}	Watchdog Lower Boundary Period	$C7 = 1500pF$		3.5		ms
T_{RST}	Programmed Reset Period	$C8 = 1500pF$		55.5		ms

QUICK START PROCEDURE

Demonstration circuit 1359 is easy to set up to evaluate the performance of the LT3640. Refer to Figure 1 for proper measurement equipment setup and follow the procedure below:

1. Place Jumper JP1 in the following position:

OFF: Watchdog Disabled

ON: Watchdog Enabled

2. With power off, connect the input power supply to VIN and GND.
3. With power off, connect loads from VOUT1 to GND and VOUT2 to GND.
4. Turn on the power at the input.

NOTE. Make sure that the input voltage does not exceed 35V.

5. Check for the proper output voltages:

VOUT1 = 3.3V, VOUT2 = 1.2V

NOTE. If there is no output, temporarily disconnect the load to make sure that the load is not set too high or is shorted.

6. Once the proper output voltages are established, adjust the loads within the operating range and observe the output voltage regulation, ripple voltage, efficiency and other parameters.
7. To test the watchdog timer, connect a clock input to the WDI terminal. Observe the output at the $\overline{\text{WDO}}$ terminal while the clock parameters are adjusted.
8. To test Power-On Reset, observe output at the RESET terminals: $\overline{\text{RST1}}$ and $\overline{\text{RST2}}$.

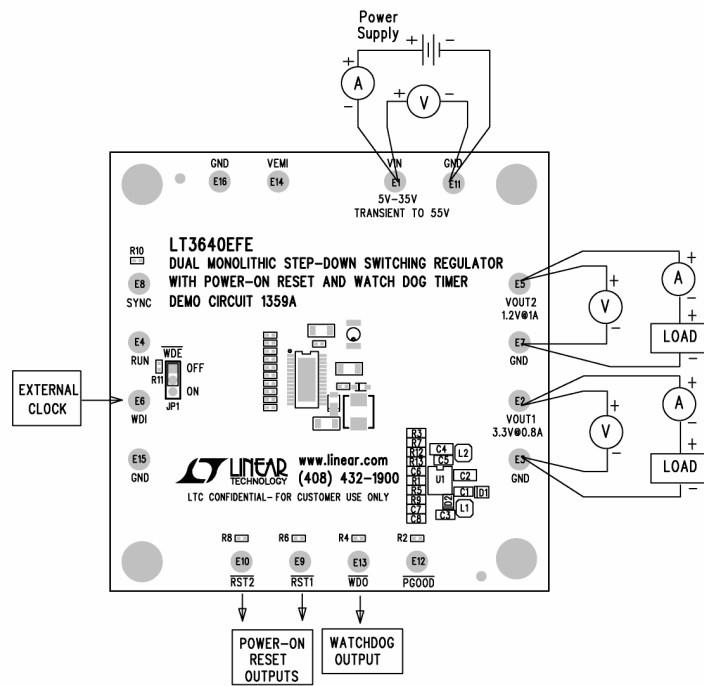


Figure 1. Proper Measurement Equipment Setup

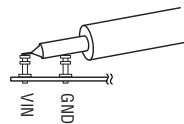
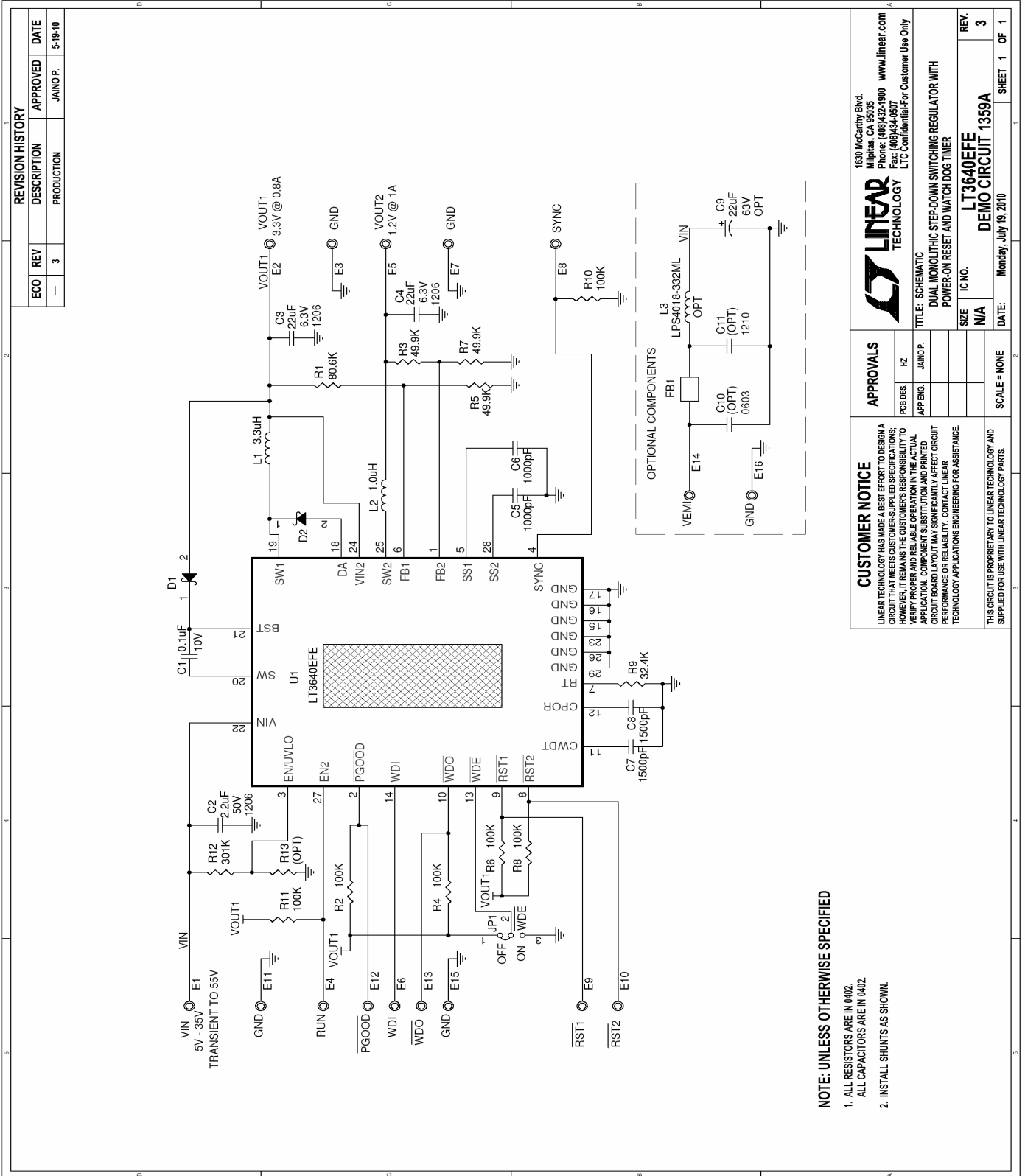


Figure 2. Measuring Input or Output Ripple



NOTE: UNLESS OTHERWISE SPECIFIED

1. ALL RESISTORS ARE IN Ω.
2. ALL CAPACITORS ARE IN pF.
3. INSTALL SHUNTS AS SHOWN.

REVISION HISTORY				
ECO	REV	DESCRIPTION	APPROVED	DATE
—	3	PRODUCTION	JAINO P.	5-19-10

CUSTOMER NOTICE

LINEAR TECHNOLOGY HAS MADE A BEST EFFORT TO DESIGN A CIRCUIT THAT MEETS CUSTOMER-SUPPLIED SPECIFICATIONS; HOWEVER, IT REMAINS THE CUSTOMER'S RESPONSIBILITY TO PROPERLY APPLY AND OPERATE THE ACTUAL APPLICATION. LINEAR TECHNOLOGY DOES NOT WARRANT ANY CIRCUIT BOARD LAYOUT MAY SIGNIFICANTLY AFFECT CIRCUIT PERFORMANCE OR RELIABILITY. CONTACT LINEAR TECHNOLOGY APPLICATIONS ENGINEERING FOR ASSISTANCE.

THIS CIRCUIT IS PROPRIETARY TO LINEAR TECHNOLOGY AND SUPPLIED FOR USE WITH LINEAR TECHNOLOGY PARTS.

APPROVALS

PWB DES.	HZ
APP. ENG.	JAINO P.

TITLE: SCHEMATIC
DUAL MONOLITHIC STEP-DOWN SWITCHING REGULATOR WITH POWER-ON RESET AND WATCH DOG TIMER

SIZE: N/A IC NO.: LT3640EFE
REV: 3

SCALE: NONE DATE: Monday, July 19, 2010 SHEET 1 OF 1

1630 McCarthy Blvd.
Milpitas, CA 95035
Phone: (408)432-1900 www.linear.com
Fax: (408)434-6507
LTC Confidential/For Customer Use Only

LINEAR TECHNOLOGY