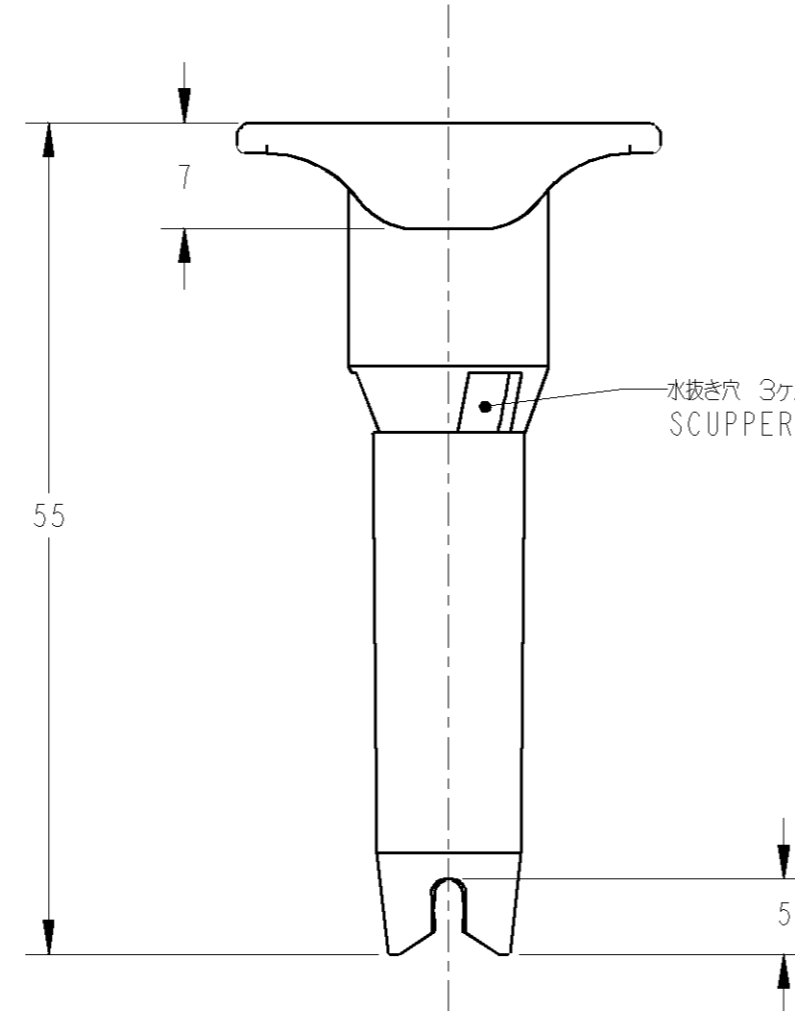
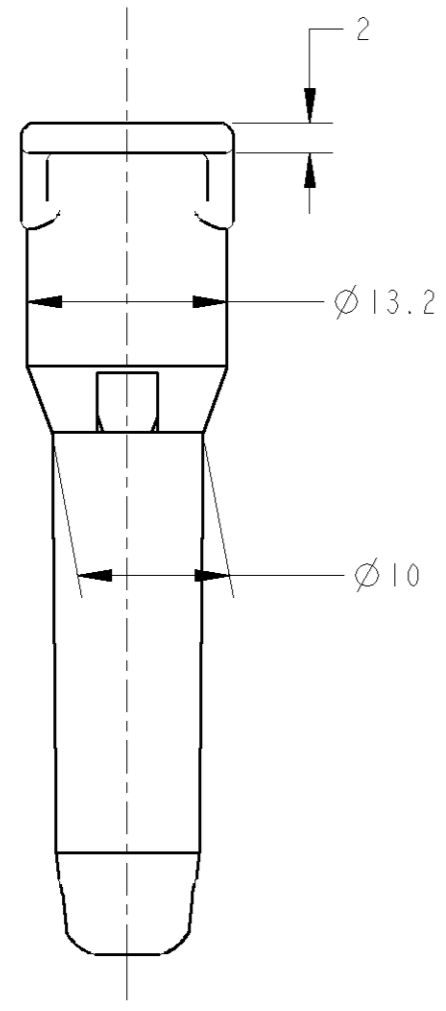
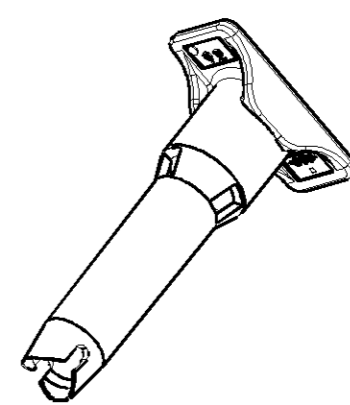


THIS DRAWING IS UNPUBLISHED. RELEASED FOR PUBLICATION 20
 © COPYRIGHT 20 BY TYCO ELECTRONICS CORPORATION. ALL RIGHTS RESERVED.

LOC	DIST	REVISIONS						
		P	LTR	DESCRIPTION	ECN	DATE	DWN	APVD
J	-		O	RELEASED	FJA0-0412-03	12NOV03	YS	YF
			A	REVISED	ECR-05-010723	07DEC05	SS	YF
			B	REVISED	ECR-10-007503	23APR10	TS	KB

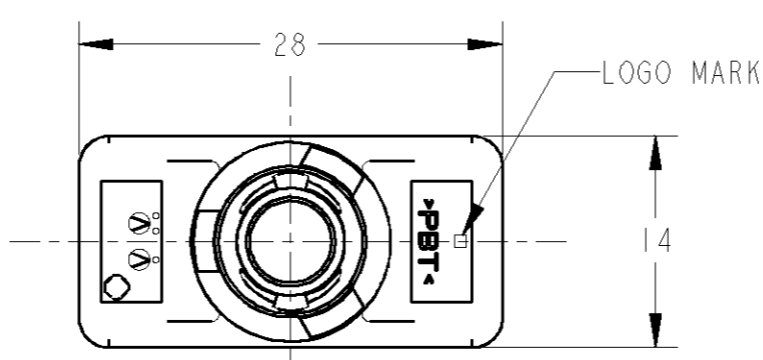


水抜き穴 3ヶ所
SCUPPER HOLE 3PLACES.



SCALE 1:1

1674823-1; AS SHOWN
1674823-1; 本図



- 1. THE APPLICATION CONTACT AND WIRE SEAL
CONTACT: 962954, 962956
WIRE SEAL: 963243, 963244, 963245
- 2. THE APPLICATION MATING CONTACT: ISO 6550-4.

- 1. 適用端子及びWIRE SEAL
端子: 962954, 962956
WIRE SEAL: 963243, 963244, 963245
- 2. 相手側適用端子規格: ISO 6550-4

THIS DRAWING IS A CONTROLLED DOCUMENT FOR TYCO ELECTRONICS CORPORATION IT IS SUBJECT TO CHANGE AND THE CONTROLLING ENGINEERING ORGANIZATION SHOULD BE CONTACTED FOR THE LATEST REVISION.		DWN Y. SAKURAI 12-Nov-03	Tyco Electronics Corporation Kawasaki, Japan	
DIMENSIONS: 単位: ㎜		CHK E. TAKIZAWA 12-Nov-03		
TOLERANCES UNLESS OTHERWISE SPECIFIED: 一般公差		APVD Y. FUJIWALA 12-Nov-03	NAME 名称 DIESEL GLOW PLUG I POSITION HOUSING	
0 PLC ± 1 PLC ±0.3 2 PLC ±0.10 3 PLC ±0.001 4 PLC ±0.0001 ANGLES ±3'00"		PRODUCT SPEC 製品規格 108-5908	SIZE A3	
MATERIAL 材料 PBT		APPLICATION SPEC 取付適用規格	CAGE CODE 00779	DRAWING NO 番号 C=1674823
FINISH 仕上 BLACK		WEIGHT 3.7g	RESTRICTED TO	
CUSTOMER DRAWING		SCALE 尺度 2:1	SHEET 1 OF 1 REV B	