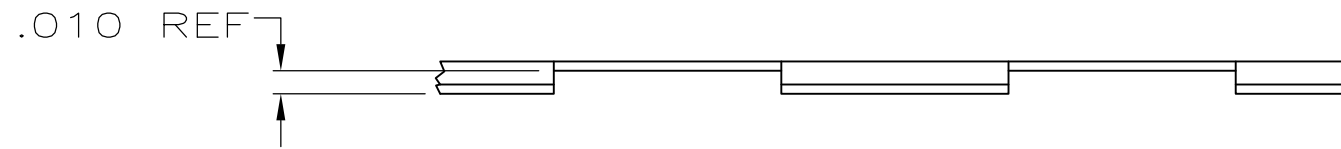
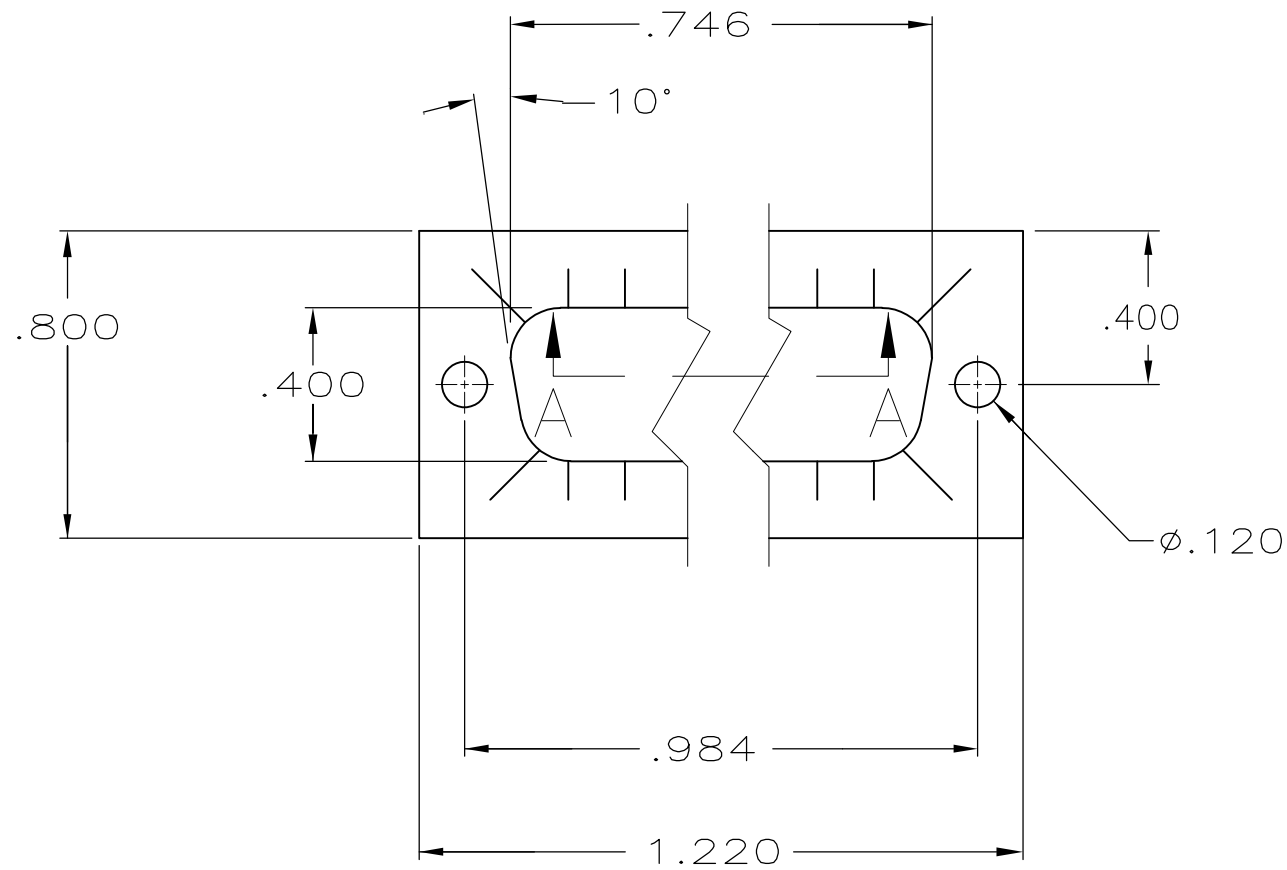



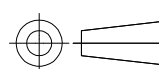
THIS DRAWING IS UNPUBLISHED. RELEASED FOR PUBLICATION
 © COPYRIGHT - By - ALL RIGHTS RESERVED.

LOC	DIST	REVISIONS					
GP	00	P	LTR	DESCRIPTION	DATE	DWN	APVD
			A1	REVISED PER ECO-11-004835	11MAR11	RK	HMR



VIEW A-A
SCALE 8:1

5747024-3
PART NO

THIS DRAWING IS A CONTROLLED DOCUMENT.		DWN	B. MCMASTER	24MAY04	 TE Connectivity NAME RFI GASKET, SIZE 1, AMPLIMITE				
DIMENSIONS: INCHES		CHK	J. GERACE	24MAY04					
		APVD	M. WALMSLEY	24MAY04					
TOLERANCES UNLESS OTHERWISE SPECIFIED:		PRODUCT SPEC		APPLICATION SPEC					
0 PLC ± - 1 PLC ± - 2 PLC ± - 3 PLC ± .010 4 PLC ± - ANGLES ± 2°		WEIGHT		-	SIZE	CAGE CODE	DRAWING NO	RESTRICTED TO	
MATERIAL		FINISH		CUSTOMER DRAWING		A3	00779	C-5747024	-
BRASS, .006 THICK		TIN OVER NICKEL		SCALE		2:1	SHEET	1 OF 1	REV
									A1