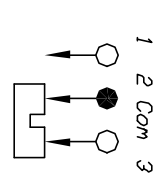
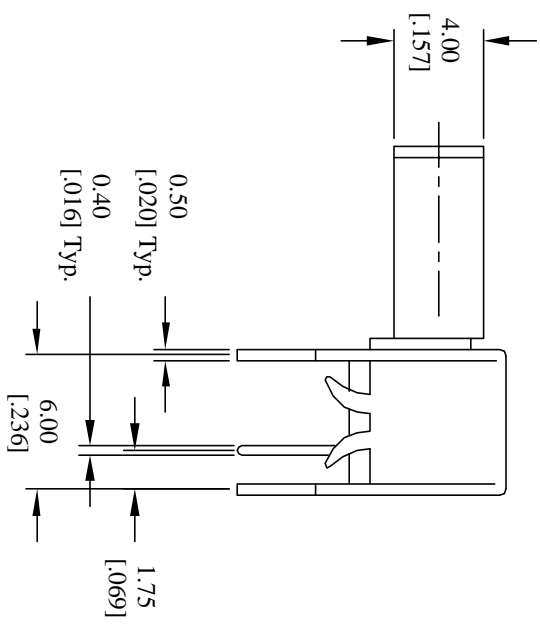
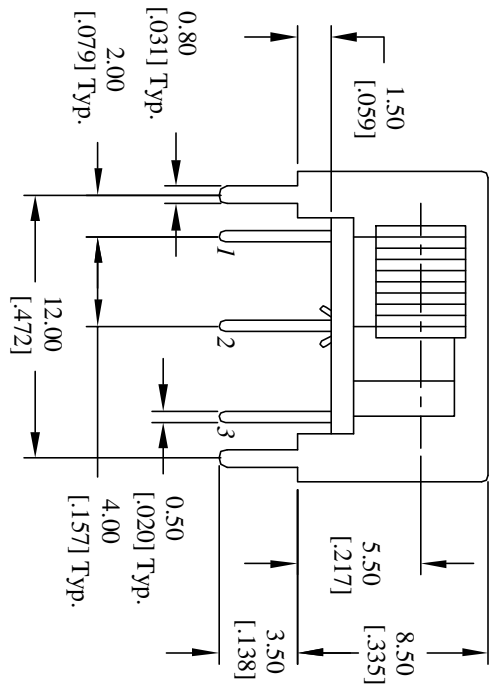


RECOMMEND P.C.B. LAYOUT



CIRCUIT: SPDT CONTACT CONFIGURATION



NOTES:

1. ALL DIMENSIONS IN MM [INCH]
2. TERM. NOS. FOR REF. ONLY
3. RATING: 0.5A, 15V DC
4. TRAVEL: 4.0mm
5. OPERATING FORCE: 250±100gf.

A		RELEASED FOR PRODUCTION	DATE	CHKD	TOLERANCES		TITLE	SCALE	DATE	DR	DWG	REV
REV.	DESCRIPTION				0.0	±0.4	EG 1224 Non-Shorting	3:1	4/27/98	MM	P040042	A
	THE INFORMATION CONTAINED IN THIS DOCUMENT IS PROPRIETARY TO E-SWITCH AND IS NOT TO BE COPIED OR TRANSMITTED				0.00	±0.25						

