

DO NOT SCALE DRAWING DIMENSION IN METRIC

DWG. NO. SD-35129-001

SIMILAR ITEM

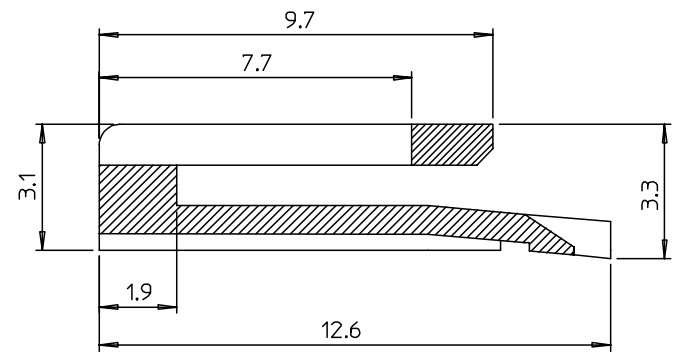
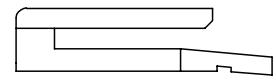
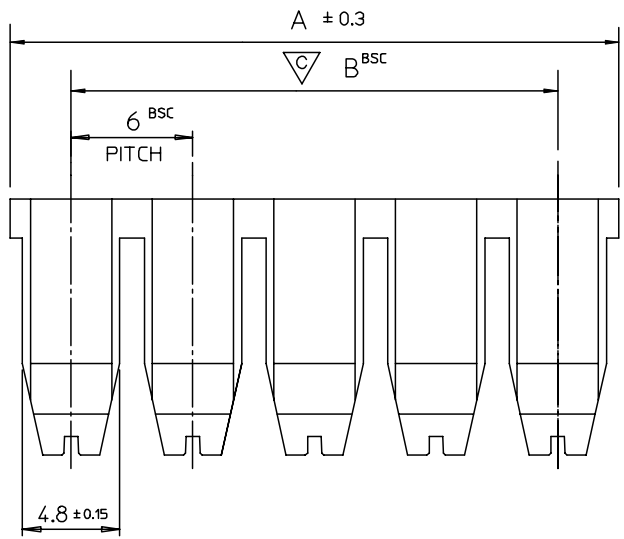
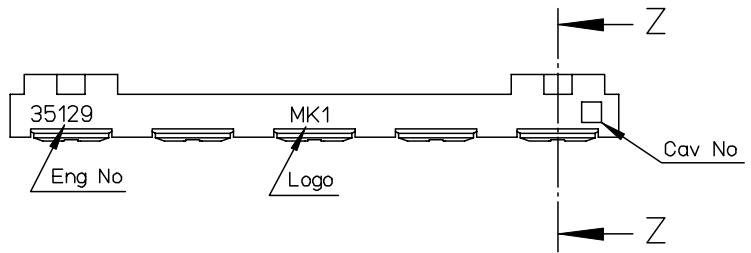
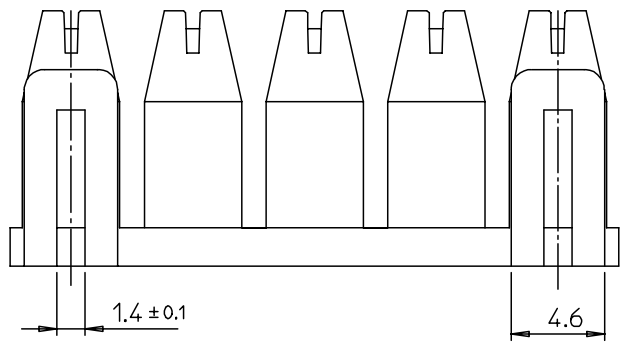
PROJECT NO.

C

B

REV

8 7 6 5 4 3 2 1



NOTES

1. MATERIALS: POLYESTER(PBT), UL94V-0, COLOR: NATURAL(WHITE)
2. DRAFT TO BE 0°30' UNLESS SPECIFIED.
3. WARPING TO BE 0.20 MAX.
4. PERMISSIBLE FLASH: 0.10MAX.
5. MATED HOUSING : 35127-****
35128-****
6. PRODUCT SPECIFICATION : PS35129

| | | | | |
|----|----|-----------|------------|----------|
| 24 | 30 | 351290500 | 35129-0500 | 5 |
| 18 | 24 | 351290400 | 35129-0400 | 4 |
| 12 | 18 | 351290300 | 35129-0300 | 3 |
| 6 | 12 | 351290200 | 35129-0200 | 2 |
| B | A | MAT'L NO | ENG NO | CIRCUITS |

SECTION Z-Z

| | | | | | | | | | |
|--|--|--|--|--|--|--|------------|-----------------------|--|
| REVISED ECN NO. KOR2003-0140 DRWN: H.S.SHIN 02.12.17 CHK: J.K.OH APPR: C.W.LEE | DESCRIPTION MAJOR = CRITICAL C = 1 | GENERAL TOLERANCES: (UNLESS SPECIFIED) | | SCALE 4:1 | DESIGN UNITS <input checked="" type="checkbox"/> mm <input type="checkbox"/> INCH | DIMENSIONS: <input type="checkbox"/> mm <input type="checkbox"/> INCH <input checked="" type="checkbox"/> mm ONLY | SHT REV | REVISE ON CAD ONLY | |
| | | 4 PLACES ±0. ±- 3 PLACES ±0. ±- 2 PLACES ±0. ±- 1 PLACE ±0.2 ±- | | DRAWN BY & DATE Y.J.KIM 92.01.29 | | TITLE: 6.0 PITCH W-t-W TPA | | | |
| | | ANGULAR: ± 1° | | CHECKED BY & DATE Y.J.KIM 92.01.29 | | | | | |
| | | DRAFT WHERE APPLICABLE MUST REMAIN WITHIN DIMENSIONS | | APPROVED BY & DATE C.W.LEE 92.01.29 | | MOLEX INCORPORATED | | | |
| CAD FILENAME SD35129A_C.MI | | MATERIAL NO. SEE TABLE | | DRAWING NO. SD-35129-001 | | | | | |